

ЦЕНТРАЛИЗОВАННАЯ СИСТЕМА СМАЗКИ С15F



Архангельск (8182)63-90-72
Астана (7172)727-132
Астрахань (8512)99-46-04
Барнаул (3852)73-04-60
Белгород (4722)40-23-64
Брянск (4832)59-03-52
Владивосток (423)249-28-31
Волгоград (844)278-03-48
Вологда (8172)26-41-59
Воронеж (473)204-51-73
Екатеринбург (343)384-55-89
Иваново (4932)77-34-06

Ижевск (3412)26-03-58
Иркутск (395)279-98-46
Казань (843)206-01-48
Калининград (4012)72-03-81
Калуга (4842)92-23-67
Кемерово (3842)65-04-62
Киров (8332)68-02-04
Краснодар (861)203-40-90
Красноярск (391)204-63-61
Курск (4712)77-13-04
Липецк (4742)52-20-81

Киргизия (996)312-96-26-47

Магнитогорск (3519)55-03-13
Москва (495)268-04-70
Мурманск (8152)59-64-93
Набережные Челны (8552)20-53-41
Нижний Новгород (831)429-08-12
Новокузнецк (3843)20-46-81
Новосибирск (383)227-86-73
Омск (3812)21-46-40
Орел (4862)44-53-42
Оренбург (3532)37-68-04
Пенза (8412)22-31-16

Россия (495)268-04-70

Пермь (342)205-81-47
Ростов-на-Дону (863)308-18-15
Рязань (4912)46-61-64
Самара (846)206-03-16
Санкт-Петербург (812)309-46-40
Саратов (845)249-38-78
Севастополь (8692)22-31-93
Симферополь (3652)67-13-56
Смоленск (4812)29-41-54
Сочи (862)225-72-31
Ставрополь (8652)20-65-13

Казахстан (772)734-952-31

Сургут (3462)77-98-35
Тверь (4822)63-31-35
Томск (3822)98-41-53
Тула (4872)74-02-29
Тюмень (3452)66-21-18
Ульяновск (8422)24-23-59
Уфа (347)229-48-12
Хабаровск (4212)92-98-04
Челябинск (351)202-03-61
Череповец (8202)49-02-64
Ярославль (4852)69-52-93

<https://raasm.nt-rt.ru> || rmf@nt-rt.ru

SERIES C15F AIR-OPERATED PUMP

10 litres

DRUM

Depending on available feed type, on system's specifics or on required dispense, an air-operated pump may be preferred to an electric one.

Various solutions are available for great versatility: with 10 liters tank or suitable for 20, 50 or 200 Kg drums, provided with drum cover and grease follower plate (if necessary).

If commercial drums are used, once the lubricant is finished the end user can replace the drum or fill it up again through the specific inlet, on request with a special kit. Oil pumps are provided with drum cover for open drums (up to 50 kg) or with ring nut for closed drums (usually from 50 kg to 200 kg). High compression ratio (50:1) and adjustable feeding pressure allow to set system's pressure to its specific requirements (from 100 to 350 bar).



TECHNICAL CHARACTERISTICS

Max flow rate	*	1330 cm ³ /min
Max working pressure		8 bar
Pressure ratio		50:1
Air inlet connection		F 1/4" G
Lubricant outlet connection		F 3/8" G
Overpressure valve		adjustable from 100 to 350 bar
Working temperature		-25 °C / +60 °C
Lubricant		Oil > 40 cSt - Grease max NLGI 2

* Approx. delivery with grease NLGI 2 at 18 °C.

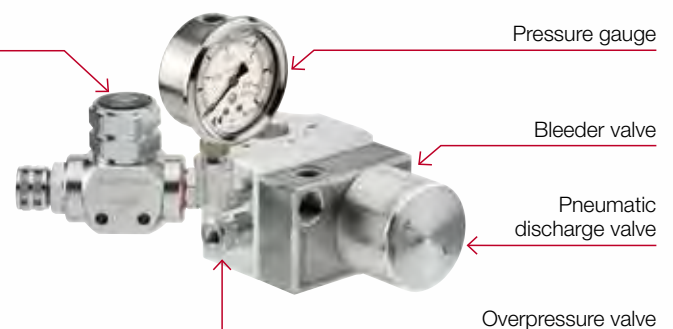
DELIVERY DISCHARGE AND CONTROL ASSEMBLY

This group is composed by:

- **Pressure gauge:** to check the line pressure.
- **Overpressure valve:** allows to check the system pressure and to discharge the lubricant in case of overpressure 100-350 bar.
- **Filling filter:** for filling the lubricant in the tank.
- **Bleeder valve:** during the filling phase, it allows to remove the air inside.

Filling filter 300 µm

Pressure gauge



Bleeder valve

Pneumatic discharge valve

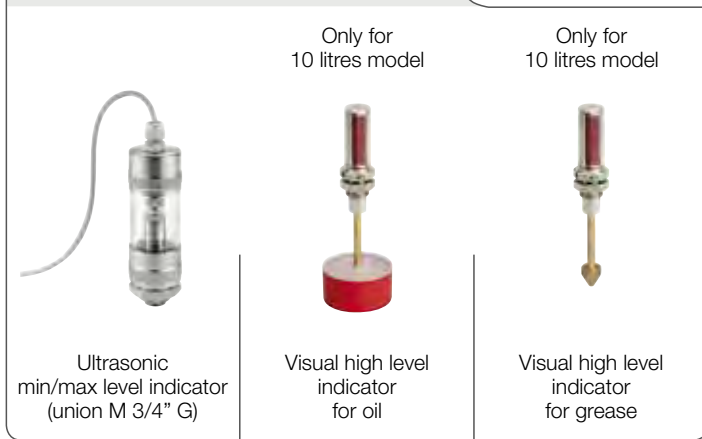
Overpressure valve

GUIDE TO CHOOSING PUMP

P/N Grease	Reservoir capacity	Drum internal ø (mm)	Pump (R 50:1)	Drum cover	Follower plate	Discharging valve
1500020	10 litres	220	62541	-	10/617	1581200
1500200	20 Kg	255/300	62548	10/507	10/63	1581200
1500380	50 Kg	335/360	62574	10/503	10/62	1581200
1500470	60 Kg	360/400	62574	10/502	10/61	1581200
1500560	200 Kg	540/580	62595	10/501	10/60	1581200

P/N Oil	Reservoir capacity	Drum external ø (mm)	Pump (R 50:1)	Drum cover	Bung adaptor	Discharging valve
1500650	10 litres	240	62541	-	-	1581200
1500830	20 Kg	260/330	62548	10/507	-	1581200
1501010	50 - 60 Kg	340/385	62574	10/503	-	1581200
1501100	50 - 60 Kg	closed - thread 2"	62574	level 39650	10/14	1581200
1501190	200 Kg	closed - thread 2"	62595	level 39650	10/14	1581200

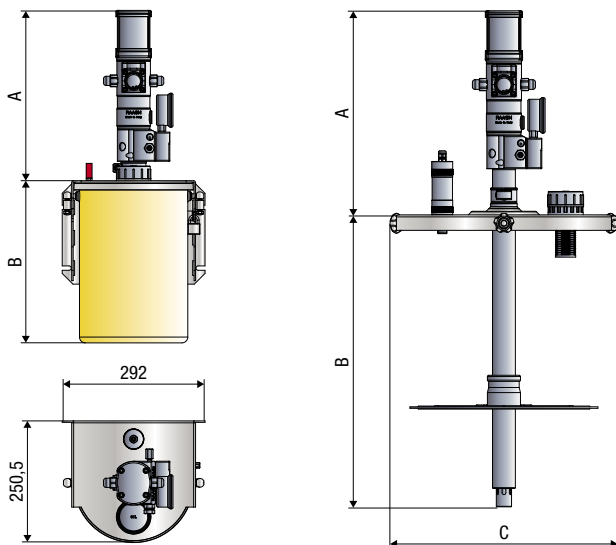
STANDARD EQUIPMENT



ON REQUEST



OVERALL DIMENSIONS (mm)

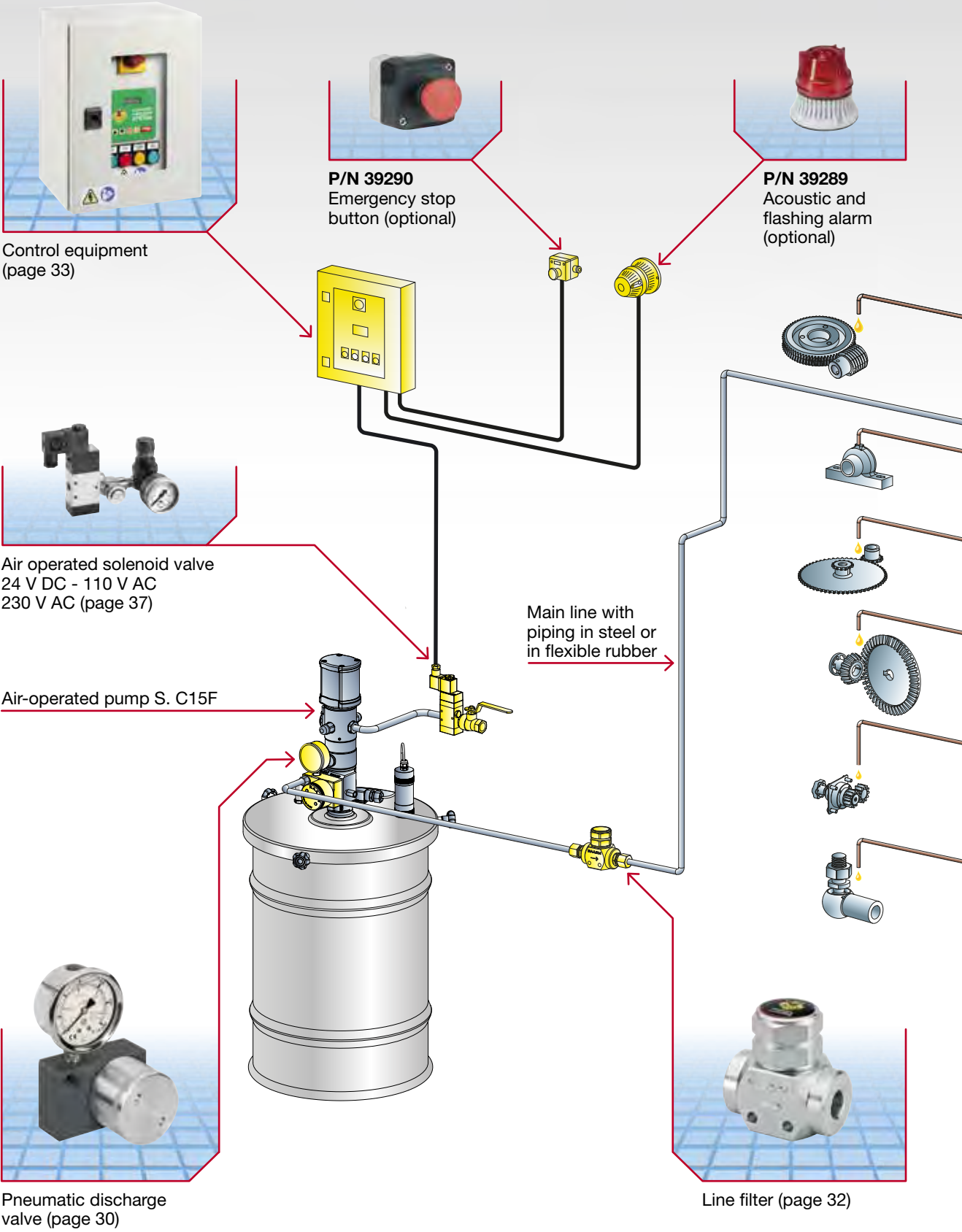


P/N Grease	A	B	C
1500020	351	335	292
1500200	355	361	341
1500380	355	621	389
1500470	355	621	424
1500560	355	835	604

P/N Oil	A	B	C
1500650	351	335	292
1500830	355	361	341
1501010	355	621	389
1501100	355	621	424
1501190	355	835	604

	10 litres		20 Kg		50 Kg		60 Kg		220 Kg	
	Grease	Oil	Grease	Oil	Grease	Oil	Grease	Oil	Grease	Oil
Packing-m ³	1-0,056	1-0,056	2-0,089	2-0,089	2-0,080	2-0,080	2-0,080	2-0,040	2-0,116	2-0,050
Net weight Kg	17,9	17,1	13,2	12	14,9	13,1	15,4	11,2	23	12,9
Gross weight Kg	18,2	17,4	13,9	12,7	15,5	13,7	16	11,8	23,9	13,7

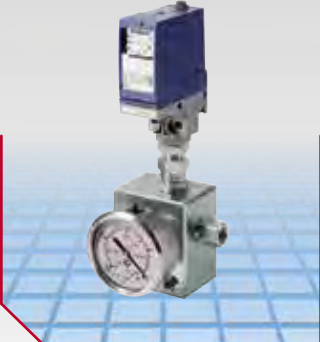
Type of lubrication system with



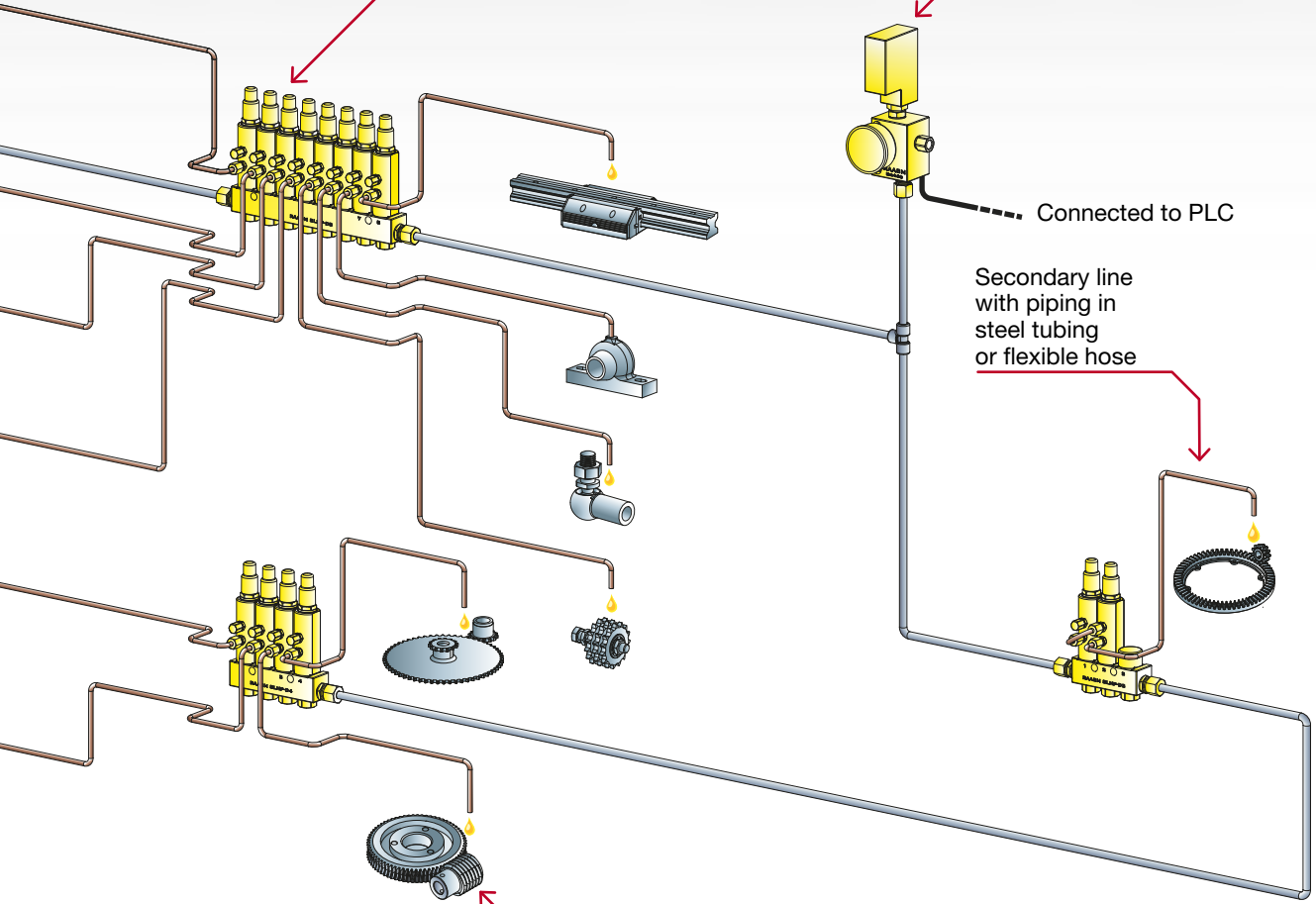
AIR-OPERATED PUMP SERIES C15F



Volumetric injectors
SLHP-D (page 28-29)



Line end pressure switch
(page 32)



Connected to PLC

Secondary line
with piping in
steel tubing
or flexible hose

Lube point: In this plant are represented some types of moving parts that need to be lubricated



Архангельск (8182)63-90-72
Астана (7172)727-132
Астрахань (8512)99-46-04
Барнаул (3852)73-04-60
Белгород (4722)40-23-64
Брянск (4832)59-03-52
Владивосток (423)249-28-31
Волгоград (844)278-03-48
Вологда (8172)26-41-59
Воронеж (473)204-51-73
Екатеринбург (343)384-55-89
Иваново (4932)77-34-06

Ижевск (3412)26-03-58
Иркутск (395)279-98-46
Казань (843)206-01-48
Калининград (4012)72-03-81
Калуга (4842)92-23-67
Кемерово (3842)65-04-62
Киров (8332)68-02-04
Краснодар (861)203-40-90
Красноярск (391)204-63-61
Курск (4712)77-13-04
Липецк (4742)52-20-81

Киргизия (996)312-96-26-47

Магнитогорск (3519)55-03-13
Москва (495)268-04-70
Мурманск (8152)59-64-93
Набережные Челны (8552)20-53-41
Нижний Новгород (831)429-08-12
Новокузнецк (3843)20-46-81
Новосибирск (383)227-86-73
Омск (3812)21-46-40
Орел (4862)44-53-42
Оренбург (3532)37-68-04
Пенза (8412)22-31-16

Россия (495)268-04-70

Пермь (342)205-81-47
Ростов-на-Дону (863)308-18-15
Рязань (4912)46-61-64
Самара (846)206-03-16
Санкт-Петербург (812)309-46-40
Саратов (845)249-38-78
Севастополь (8692)22-31-93
Симферополь (3652)67-13-56
Смоленск (4812)29-41-54
Сочи (862)225-72-31
Ставрополь (8652)20-65-13

Казахстан (772)734-952-31

Сургут (3462)77-98-35
Тверь (4822)63-31-35
Томск (3822)98-41-53
Тула (4872)74-02-29
Тюмень (3452)66-21-18
Ульяновск (8422)24-23-59
Уфа (347)229-48-12
Хабаровск (4212)92-98-04
Челябинск (351)202-03-61
Череповец (8202)49-02-64
Ярославль (4852)69-52-93

<https://raasm.nt-rt.ru> || rmf@nt-rt.ru