

ЦЕНТРАЛИЗОВАННАЯ СИСТЕМА СМАЗКИ С20F



Архангельск (8182)63-90-72
Астана (7172)727-132
Астрахань (8512)99-46-04
Барнаул (3852)73-04-60
Белгород (4722)40-23-64
Брянск (4832)59-03-52
Владивосток (423)249-28-31
Волгоград (844)278-03-48
Вологда (8172)26-41-59
Воронеж (473)204-51-73
Екатеринбург (343)384-55-89
Иваново (4932)77-34-06

Ижевск (3412)26-03-58
Иркутск (395)279-98-46
Казань (843)206-01-48
Калининград (4012)72-03-81
Калуга (4842)92-23-67
Кемерово (3842)65-04-62
Киров (8332)68-02-04
Краснодар (861)203-40-90
Красноярск (391)204-63-61
Курск (4712)77-13-04
Липецк (4742)52-20-81

Киргизия (996)312-96-26-47

Магнитогорск (3519)55-03-13
Москва (495)268-04-70
Мурманск (8152)59-64-93
Набережные Челны (8552)20-53-41
Нижний Новгород (831)429-08-12
Новокузнецк (3843)20-46-81
Новосибирск (383)227-86-73
Омск (3812)21-46-40
Орел (4862)44-53-42
Оренбург (3532)37-68-04
Пенза (8412)22-31-16

Россия (495)268-04-70

Пермь (342)205-81-47
Ростов-на-Дону (863)308-18-15
Рязань (4912)46-61-64
Самара (846)206-03-16
Санкт-Петербург (812)309-46-40
Саратов (845)249-38-78
Севастополь (8692)22-31-93
Симферополь (3652)67-13-56
Смоленск (4812)29-41-54
Сочи (862)225-72-31
Ставрополь (8652)20-65-13

Казахстан (772)734-952-31

Сургут (3462)77-98-35
Тверь (4822)63-31-35
Томск (3822)98-41-53
Тула (4872)74-02-29
Тюмень (3452)66-21-18
Ульяновск (8422)24-23-59
Уфа (347)229-48-12
Хабаровск (4212)92-98-04
Челябинск (351)202-03-61
Череповец (8202)49-02-64
Ярославль (4852)69-52-93

SERIES C20F AIR-OPERATED PUMP

10 LITRES

DRUM

Depending on available feed type, on system's specifics or on required dispense, an air-operated pump may be preferred to an electric one.

Various solutions are available for great versatility: with 10 liters tank or suitable for 20, 50 or 200 kg drums, provided with drum cover and grease follower plate (if necessary).

If commercial drums are used, once the lubricant is finished the end user can replace the drum or fill it up again through the specific inlet, on request with a special kit. Oil pumps are provided with drum cover for open drums (up to 50 kg) or with ring nut for closed drums (usually from 50 kg to 200 kg).

High compression ratio (50:1) and adjustable feeding pressure allow to set system's pressure to its specific requirements (from 100 to 350 bar).



TECHNICAL CHARACTERISTICS

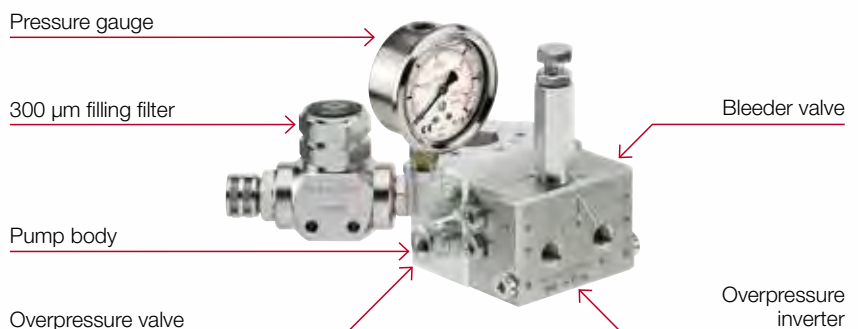
Max flow rate	1330 cm ³ /min
Max working pressure	8 bar
Pressure ratio	50:1
Air inlet connection	F 1/4" G
Lubricant outlet connection	F 1/4" G
Overpressure valve	adjustable from 100 to 350 bar
Operating temperature	-25 °C / +60 °C
Lubricant	Oil > 40 cSt - Grease max NLGI 2

* Approx. delivery with grease NLGI 2 at 18°C.

DELIVERY INVERSION AND CONTROL ASSEMBLY

This group is composed by:

- **Pressure gauge:** to check the line pressure.
- **Overpressure valve:** allows to check the system pressure and to discharge the lubricant in case of overpressure 100 - 350 bar.
- **Filling filter:** for filling the lubricant in the tank.
- **Bleeder valve:** during the filling phase, it allows to remove the air inside.

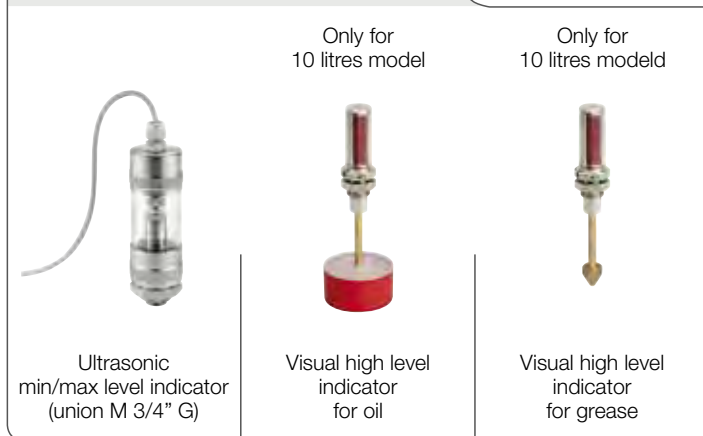


GUIDE TO CHOOSING PUMP

P/N	Tank capacity (litres)	Drum internal ø (mm)	Pump (R 50:1)	Drum cover	Follower plate	Pump outlet assembly
Grease						
2010020	10 litres	220	62641	-	10/617	2080201
2010200	20 kg	255/300	62648	10/507	10/63	2080201
2010380	50 kg	335/360	62674	10/503	10/62	2080201
2010470	60 kg	360/400	62674	10/502	10/61	2080201
2010560	200 kg	540/580	62695	10/501	10/60	2080201

P/N	Tank capacity (litres)	Drum external ø (mm)	Pump (R 50:1)	Drum cover	Drum ring	Pump outlet assembly
Oil						
2010650	10 litres	240	62641	-	-	2080201
2010830	20 kg	260/330	62648	10/507	-	2080201
2011010	50 - 60 kg	340/385	62674	10/503	-	2080201
2011100	50 - 60 kg	closed - thread 2"	62674	level 39650	10/14	2080201
2011190	200 kg	closed - thread 2"	62695	level 39650	10/14	2080201

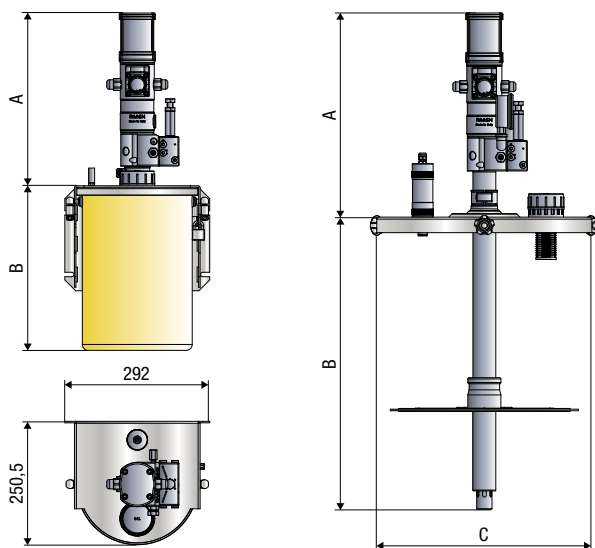
DOTAZIONE STANDARD



ON REQUEST



OVERALL DIMENSIONS (mm)

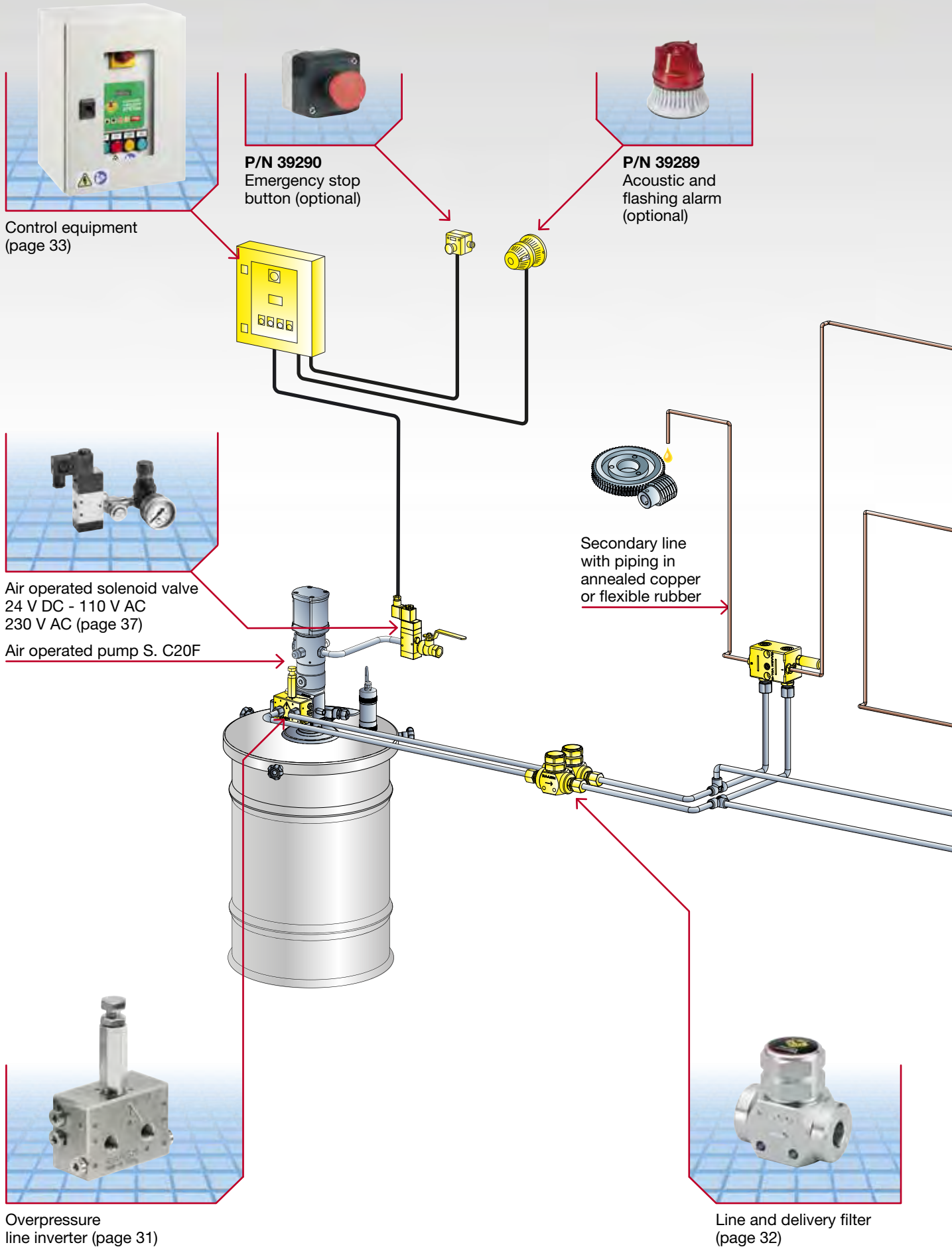


Grease	A	B	C
2010020	351	335	292
2010200	355	361	341
2010380	355	621	389
2010470	355	621	424
2010560	355	835	604

Oil	A	B	C
2010650	351	335	292
2010830	355	361	341
2011010	355	621	389
2011100	355	621	424
2011190	355	835	604

	10 litres		20 kg		50 kg		60 kg		220 kg	
	Grease	Oil	Grease	Oil	Grease	Oil	Grease	Oil	Grease	Oil
Packing-m ³	1-0,056	1-0,056	2-0,094	2-0,094	2-0,086	2-0,086	2-0,086	2-0,050	2-0,115	2-0,060
Net weight kg	18,2	17,4	13,5	12,2	15,2	13,4	15,6	11,4	23,2	13,0
Gross weight kg	18,5	17,7	14,1	12,8	15,8	14,0	16,2	12,0	24,0	13,8

Type of lubrication system with



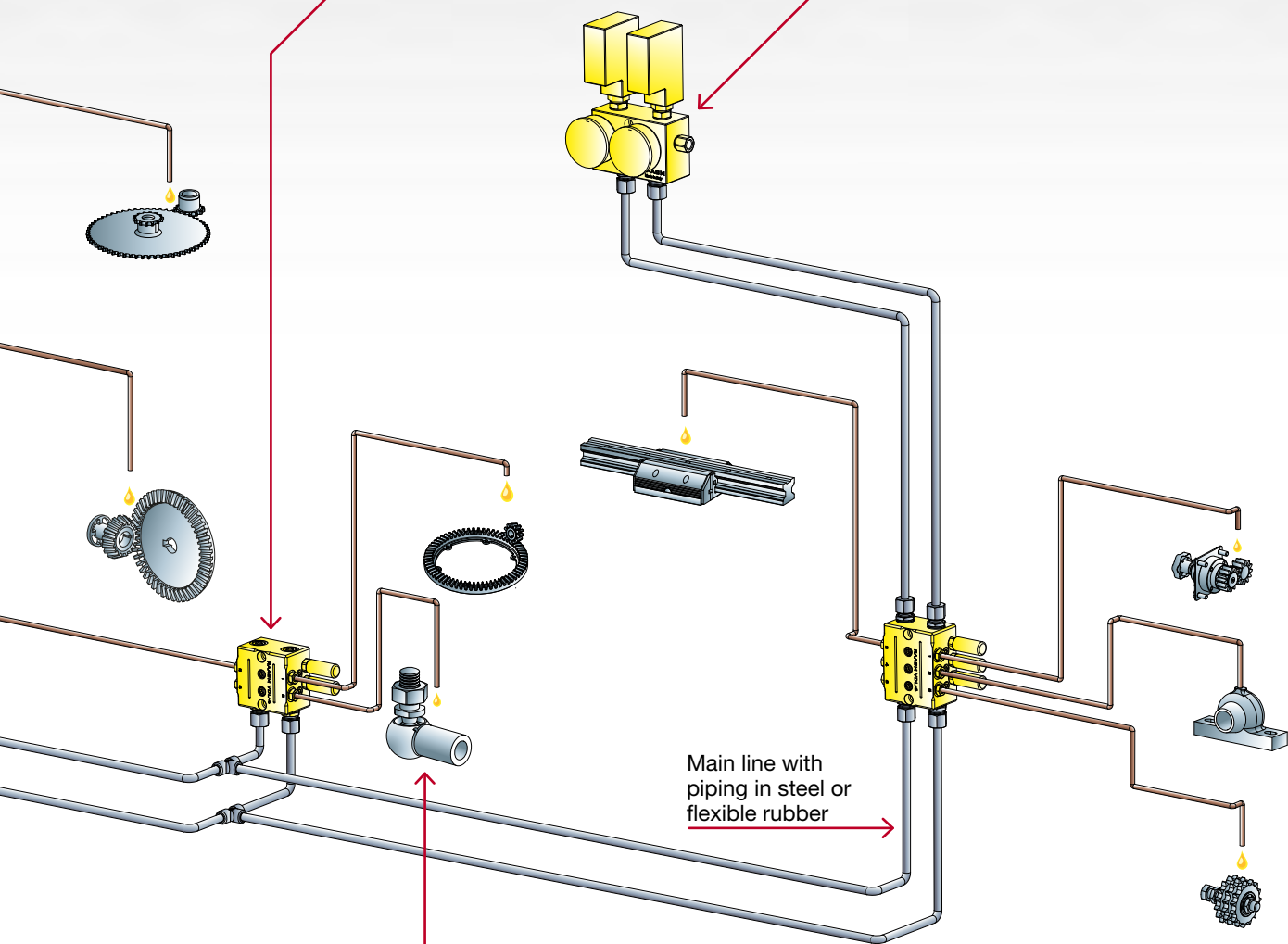
AIR-OPERATED PUMPS SERIES C20F



Volumetric distributor
Series VDL-M (page 28-29)



Line and pressure switch
(page 32)



Main line with
piping in steel or
flexible rubber

Lube point: In the plant are represented some types of moving parts that need to be lubricated



Архангельск (8182)63-90-72
Астана (7172)727-132
Астрахань (8512)99-46-04
Барнаул (3852)73-04-60
Белгород (4722)40-23-64
Брянск (4832)59-03-52
Владивосток (423)249-28-31
Волгоград (844)278-03-48
Вологда (8172)26-41-59
Воронеж (473)204-51-73
Екатеринбург (343)384-55-89
Иваново (4932)77-34-06

Ижевск (3412)26-03-58
Иркутск (395)279-98-46
Казань (843)206-01-48
Калининград (4012)72-03-81
Калуга (4842)92-23-67
Кемерово (3842)65-04-62
Киров (8332)68-02-04
Краснодар (861)203-40-90
Красноярск (391)204-63-61
Курск (4712)77-13-04
Липецк (4742)52-20-81

Киргизия (996)312-96-26-47

Магнитогорск (3519)55-03-13
Москва (495)268-04-70
Мурманск (8152)59-64-93
Набережные Челны (8552)20-53-41
Нижний Новгород (831)429-08-12
Новокузнецк (3843)20-46-81
Новосибирск (383)227-86-73
Омск (3812)21-46-40
Орел (4862)44-53-42
Оренбург (3532)37-68-04
Пенза (8412)22-31-16

Россия (495)268-04-70

Пермь (342)205-81-47
Ростов-на-Дону (863)308-18-15
Рязань (4912)46-61-64
Самара (846)206-03-16
Санкт-Петербург (812)309-46-40
Саратов (845)249-38-78
Севастополь (8692)22-31-93
Симферополь (3652)67-13-56
Смоленск (4812)29-41-54
Сочи (862)225-72-31
Ставрополь (8652)20-65-13

Казахстан (772)734-952-31

Сургут (3462)77-98-35
Тверь (4822)63-31-35
Томск (3822)98-41-53
Тула (4872)74-02-29
Тюмень (3452)66-21-18
Ульяновск (8422)24-23-59
Уфа (347)229-48-12
Хабаровск (4212)92-98-04
Челябинск (351)202-03-61
Череповец (8202)49-02-64
Ярославль (4852)69-52-93

<https://raasm.nt-rt.ru> || rmf@nt-rt.ru