

ЦЕНТРАЛИЗОВАННАЯ СИСТЕМА СМАЗКИ С20Р



Архангельск (8182)63-90-72
Астана (7172)727-132
Астрахань (8512)99-46-04
Барнаул (3852)73-04-60
Белгород (4722)40-23-64
Брянск (4832)59-03-52
Владивосток (423)249-28-31
Волгоград (844)278-03-48
Вологда (8172)26-41-59
Воронеж (473)204-51-73
Екатеринбург (343)384-55-89
Иваново (4932)77-34-06

Ижевск (3412)26-03-58
Иркутск (395)279-98-46
Казань (843)206-01-48
Калининград (4012)72-03-81
Калуга (4842)92-23-67
Кемерово (3842)65-04-62
Киров (8332)68-02-04
Краснодар (861)203-40-90
Красноярск (391)204-63-61
Курск (4712)77-13-04
Липецк (4742)52-20-81

Киргизия (996)312-96-26-47

Магнитогорск (3519)55-03-13
Москва (495)268-04-70
Мурманск (8152)59-64-93
Набережные Челны (8552)20-53-41
Нижний Новгород (831)429-08-12
Новокузнецк (3843)20-46-81
Новосибирск (383)227-86-73
Омск (3812)21-46-40
Орел (4862)44-53-42
Оренбург (3532)37-68-04
Пенза (8412)22-31-16

Россия (495)268-04-70

Пермь (342)205-81-47
Ростов-на-Дону (863)308-18-15
Рязань (4912)46-61-64
Самара (846)206-03-16
Санкт-Петербург (812)309-46-40
Саратов (845)249-38-78
Севастополь (8692)22-31-93
Симферополь (3652)67-13-56
Смоленск (4812)29-41-54
Сочи (862)225-72-31
Ставрополь (8652)20-65-13

Казахстан (772)734-952-31

Сургут (3462)77-98-35
Тверь (4822)63-31-35
Томск (3822)98-41-53
Тула (4872)74-02-29
Тюмень (3452)66-21-18
Ульяновск (8422)24-23-59
Уфа (347)229-48-12
Хабаровск (4212)92-98-04
Челябинск (351)202-03-61
Череповец (8202)49-02-64
Ярославль (4852)69-52-93

SERIES C20P

MOTOR-OPERATED PUMP

PISTONS WITH OSCILLATING UNIT

Motor-operated pumps equipped with three-phase motor (4-poles) with large epoxy powder painted tank (40 or 100 litres) mounted on base in nickel-plated aluminium alloy.

The pumping unit can be fitted with dosing pistons of two different diameters (7 or 10 mm), thereby offering a choice of different deliveries according to customer requirements. A minimum level sensor, standard on all models, informs the operator by means of a special luminous signal and stops pump operation, preventing it from running empty. The line inversion system is supplied separately. It can be electromechanical or overpressure-type, as illustrated on the following pages of this catalog.



TECHNICAL CHARACTERISTICS

Doser piston flow rate	*	160 (ø 7 mm) - 400 (ø 10 mm) cm ³ /min
Max. working pressure		400 bar adjustable
Tank capacity (litres)		40 -100 litres
Doser piston diameter		7 - 10 mm
Lubricant inlet connection		F 1/2" G
Lubricant outlet connection		F 3/8" G
Working temperature		-25 °C / +60 °C
Lubricant		Oil > 40 cSt - Greases max NLGI 2
Min level electric control		Standard
Min and max level electric control		On request
Motor		Power 0,55-0,66 kW
		230/400 V AC-50 Hz - 275/480 V AC-60 Hz *
		Speed 1370 ÷ 1640 rpm
		Protection IP 55

* Approx. delivery with grease NLGI 2 a 18 °C. (The lubricant must have technical characteristics in compliance with working temperature).

* Different rated voltages have to be indicated in the purchase order.

GUIDE TO CHOOSING PUMP

P/N		Tank capacity (litres)	dosing piston \varnothing (mm)	Delivery (cm ³ /min)
Grease	Oil			
2000065	2000305	40	7	160
2000185	2000425	100	7	160
2000095	2000335	40	10	400
2000215	2000455	100	10	400

STANDARD EQUIPMENT



Low level capacitive sensor.



Visual level indicator for oil and grease.

ON REQUEST

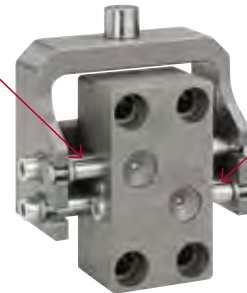


High level capacitive sensor.

OSCILLATING PUMPING UNIT

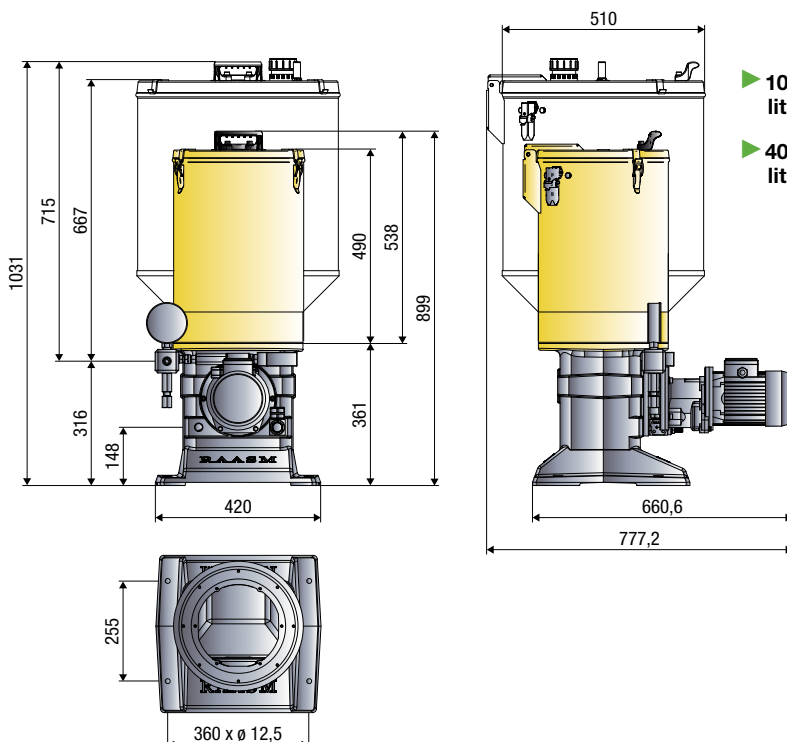
The reciprocating motion of pumping group's body allows to the two dosing pistons to dispense lubricant directly from pumping group to pump's outlet.

Dosing piston
(\varnothing 7 mm - \varnothing 10 mm)



Dosing piston
(\varnothing 7 mm - \varnothing 10 mm)

OVERALL DIMENSIONS (mm)

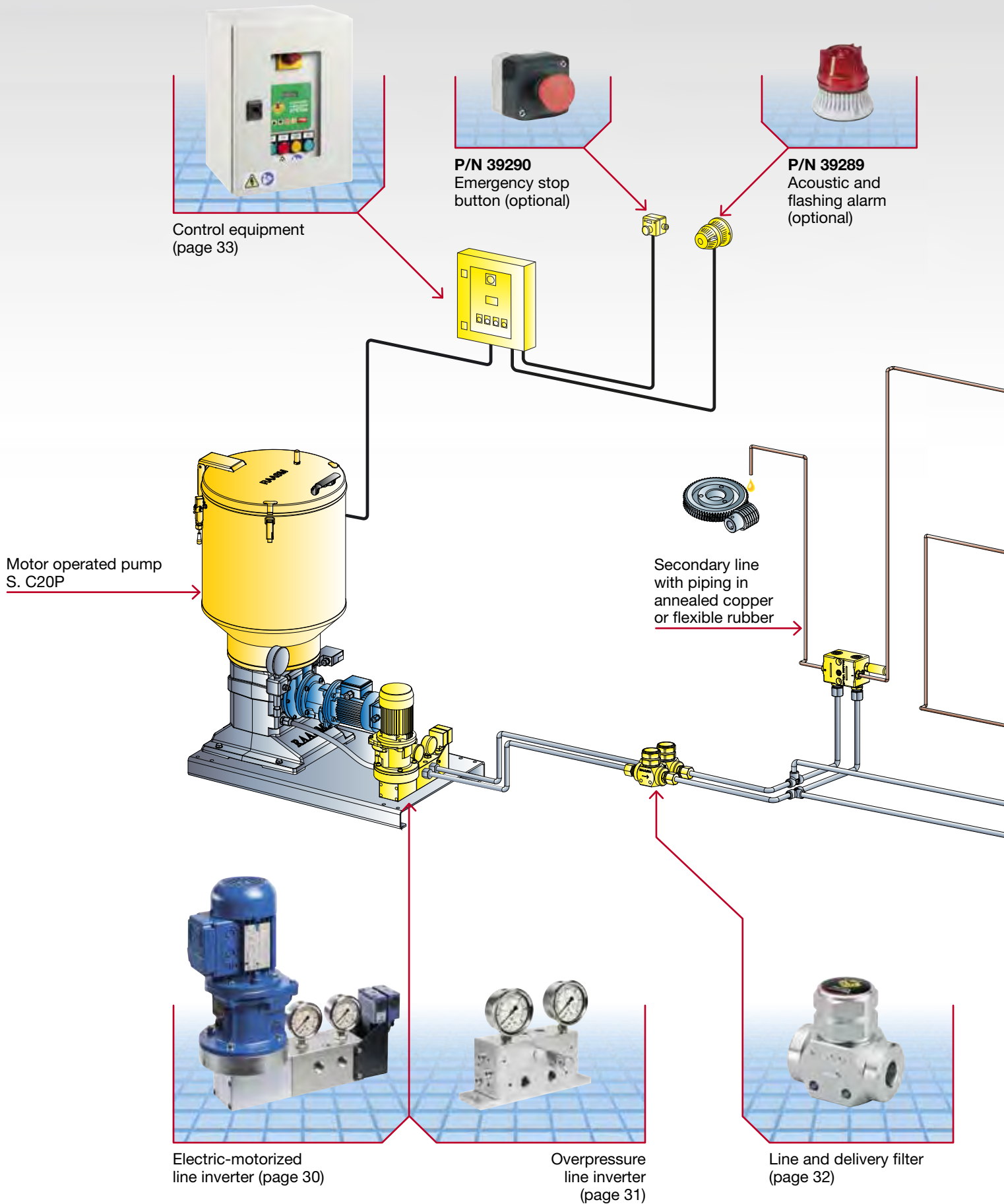


► 100 litres
► 40 litres

	40 litres	
	Grease	Oil
Packing-m ³	1-0,268	1-0,268
Net weight kg	63,2	61,3
Gross weight kg	79,6	77,7

	100 litres	
	Grease	Oil
Packing-m ³	1-0,435	1-0,435
Net weight kg	75,7	73,6
Gross weight kg	92,5	90,4

Type of lubrication system with



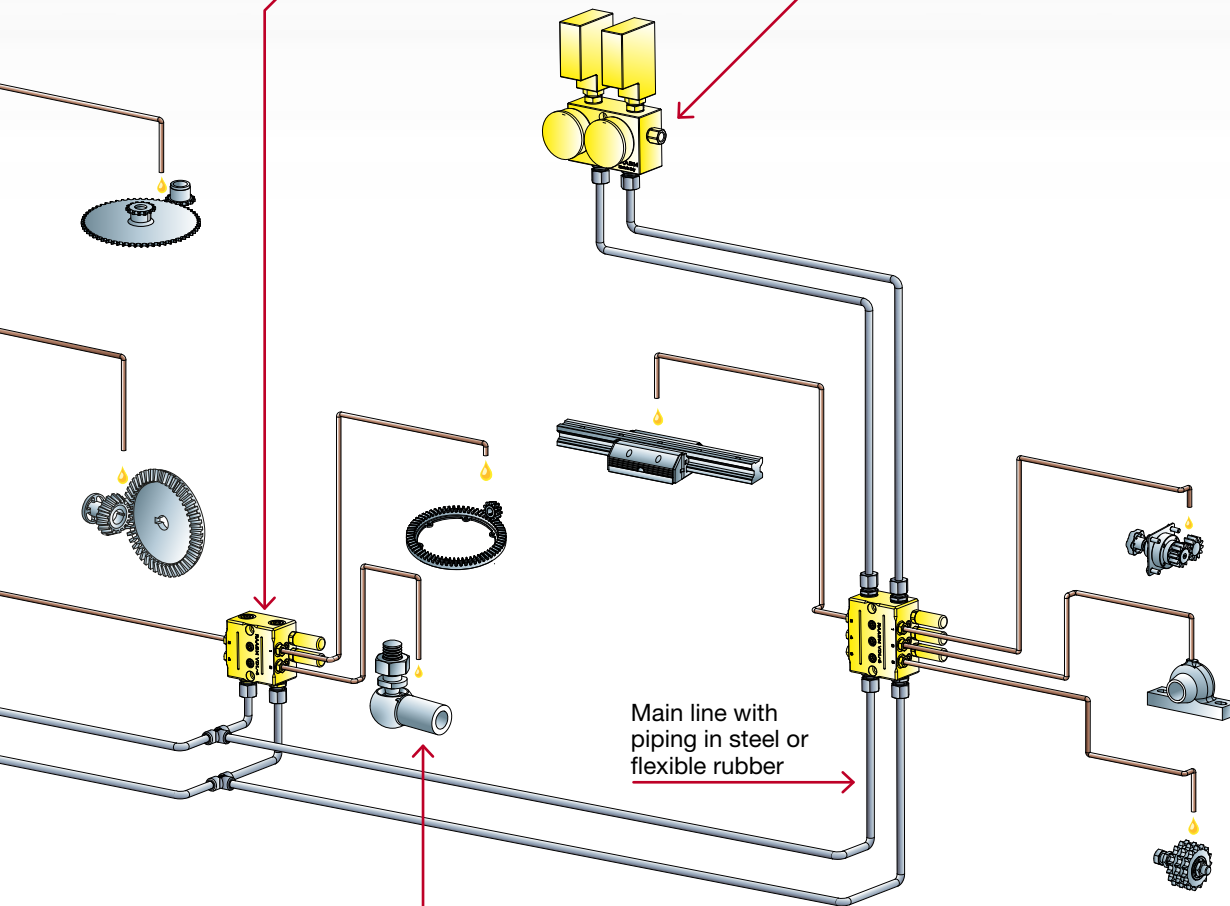
MOTOR-OPERATED PUMPS SERIES C20P



Volumetric distributor
Series VDL-M (page 28-29)



Line and pressure switch
(page 32)



Main line with
piping in steel or
flexible rubber

Lube point: In the plant are represented some types of moving parts that need to be lubricated



Архангельск (8182)63-90-72
Астана (7172)727-132
Астрахань (8512)99-46-04
Барнаул (3852)73-04-60
Белгород (4722)40-23-64
Брянск (4832)59-03-52
Владивосток (423)249-28-31
Волгоград (844)278-03-48
Вологда (8172)26-41-59
Воронеж (473)204-51-73
Екатеринбург (343)384-55-89
Иваново (4932)77-34-06

Ижевск (3412)26-03-58
Иркутск (395)279-98-46
Казань (843)206-01-48
Калининград (4012)72-03-81
Калуга (4842)92-23-67
Кемерово (3842)65-04-62
Киров (8332)68-02-04
Краснодар (861)203-40-90
Красноярск (391)204-63-61
Курск (4712)77-13-04
Липецк (4742)52-20-81

Киргизия (996)312-96-26-47

Магнитогорск (3519)55-03-13
Москва (495)268-04-70
Мурманск (8152)59-64-93
Набережные Челны (8552)20-53-41
Нижний Новгород (831)429-08-12
Новокузнецк (3843)20-46-81
Новосибирск (383)227-86-73
Омск (3812)21-46-40
Орел (4862)44-53-42
Оренбург (3532)37-68-04
Пенза (8412)22-31-16

Россия (495)268-04-70

Пермь (342)205-81-47
Ростов-на-Дону (863)308-18-15
Рязань (4912)46-61-64
Самара (846)206-03-16
Санкт-Петербург (812)309-46-40
Саратов (845)249-38-78
Севастополь (8692)22-31-93
Симферополь (3652)67-13-56
Смоленск (4812)29-41-54
Сочи (862)225-72-31
Ставрополь (8652)20-65-13

Казахстан (772)734-952-31

Сургут (3462)77-98-35
Тверь (4822)63-31-35
Томск (3822)98-41-53
Тула (4872)74-02-29
Тюмень (3452)66-21-18
Ульяновск (8422)24-23-59
Уфа (347)229-48-12
Хабаровск (4212)92-98-04
Челябинск (351)202-03-61
Череповец (8202)49-02-64
Ярославль (4852)69-52-93

<https://raasm.nt-rt.ru> || rmf@nt-rt.ru