

# ЦЕНТРАЛИЗОВАННАЯ СИСТЕМА СМАЗКИ C25S



Архангельск (8182)63-90-72  
Астана (7172)727-132  
Астрахань (8512)99-46-04  
Барнаул (3852)73-04-60  
Белгород (4722)40-23-64  
Брянск (4832)59-03-52  
Владивосток (423)249-28-31  
Волгоград (844)278-03-48  
Вологда (8172)26-41-59  
Воронеж (473)204-51-73  
Екатеринбург (343)384-55-89  
Иваново (4932)77-34-06

Ижевск (3412)26-03-58  
Иркутск (395)279-98-46  
Казань (843)206-01-48  
Калининград (4012)72-03-81  
Калуга (4842)92-23-67  
Кемерово (3842)65-04-62  
Киров (8332)68-02-04  
Краснодар (861)203-40-90  
Красноярск (391)204-63-61  
Курск (4712)77-13-04  
Липецк (4742)52-20-81

Киргизия (996)312-96-26-47

Магнитогорск (3519)55-03-13  
Москва (495)268-04-70  
Мурманск (8152)59-64-93  
Набережные Челны (8552)20-53-41  
Нижний Новгород (831)429-08-12  
Новокузнецк (3843)20-46-81  
Новосибирск (383)227-86-73  
Омск (3812)21-46-40  
Орел (4862)44-53-42  
Оренбург (3532)37-68-04  
Пенза (8412)22-31-16

Россия (495)268-04-70

Пермь (342)205-81-47  
Ростов-на-Дону (863)308-18-15  
Рязань (4912)46-61-64  
Самара (846)206-03-16  
Санкт-Петербург (812)309-46-40  
Саратов (845)249-38-78  
Севастополь (8692)22-31-93  
Симферополь (3652)67-13-56  
Смоленск (4812)29-41-54  
Сочи (862)225-72-31  
Ставрополь (8652)20-65-13

Казахстан (772)734-952-31

Сургут (3462)77-98-35  
Тверь (4822)63-31-35  
Томск (3822)98-41-53  
Тула (4872)74-02-29  
Тюмень (3452)66-21-18  
Ульяновск (8422)24-23-59  
Уфа (347)229-48-12  
Хабаровск (4212)92-98-04  
Челябинск (351)202-03-61  
Череповец (8202)49-02-64  
Ярославль (4852)69-52-93

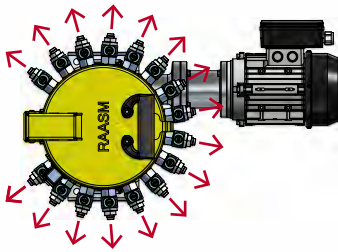
<https://raasm.nt-rt.ru> || [rmf@nt-rt.ru](mailto:rmf@nt-rt.ru)

# SERIES C25S

## MULTI-DELIVERY PUMP

This series of pumps has been designed to combine high operating safety, easy maintenance and also the possibility of adjusting the delivery directly with an adjusting screw on the pumping element.

The adjusting screw on the pumping element has three measurement notches showing the required delivery value. Depending on the feed motor and the reduction unit ratio, with 1 pumping element, having a cycle capacity of 0,29 cm<sup>3</sup>, 4,20 - 6,00 - 8,70 cm<sup>3</sup>/min delivery quantities of can be reached.



### TECHNICAL CHARACTERISTICS

Max. delivery (pump element) *	4,2 - 6,30 - 8,5 cm <sup>3</sup> /min
Delivery (for pumping element)	P/N 2581100 - 0,29 cm <sup>3</sup> /cycle
Max. operating pressure	400 bar
Tank capacity	10-30-70 litres
No. pumping elements	1 - 16
Ratio of reducer in pump	35:1 - 70:1
Filling union	F 1/2" BSP
Lubricant outlet union	F 1/4" BSP
Temperature	- 25 °C / + 60 °C
Lubricant	Oil > 40 cSt - Greases max NLGI 2
Electric min. level control	Standard
Electric min. max. level control	Optional
Motor	Power: 0,25 kW
	230/400 V AC - 50 Hz - 275/480 V AC - 60 Hz *
	Speed 6 poles: 870 ÷ 1100 rpm
	Speed 4 poles: 1370 ÷ 1660 rpm
	Protection: IP 55

\* Approx. delivery with grease NLGI 2 a 18 °C. (The lubricant must have technical characteristics in compliance with working temperature).

\* Different rated voltages have to be indicated in the purchase order

## GUIDE TO CHOOSING PUMP

P/N		Tank capacity (litres)	No. pumping elements	Reducer ratio	Motor	Delivery (cm <sup>3</sup> /min)
Grease	Oil					
2500600	2503480	10	4	70:1	6 poles	17
2500720	2503600	10	8	70:1	6 poles	34
2501680	2504560	30	8	70:1	6 poles	34
2501920	2504800	30	16	70:1	6 poles	68
2502640	2505520	70	8	70:1	6 poles	34
2502880	2505760	70	16	70:1	6 poles	68
2500120	2503000	10	4	70:1	4 poles	25
2500240	2503120	10	8	70:1	4 poles	50
2501200	2504080	30	8	70:1	4 poles	50
2501440	2504320	30	16	70:1	4 poles	100
2502160	2505040	70	8	70:1	4 poles	50
2502400	2505280	70	16	70:1	4 poles	100
2500585	2503465	10	4	35:1	6 poles	35
2500705	2503585	10	8	35:1	6 poles	70
2501665	2504545	30	8	35:1	6 poles	70
2501905	2504785	30	16	35:1	6 poles	140
2502625	2505505	70	8	35:1	6 poles	70
2502865	2505745	70	16	35:1	6 poles	140

### STANDARD EQUIPMENT



Low level capacitive sensor.



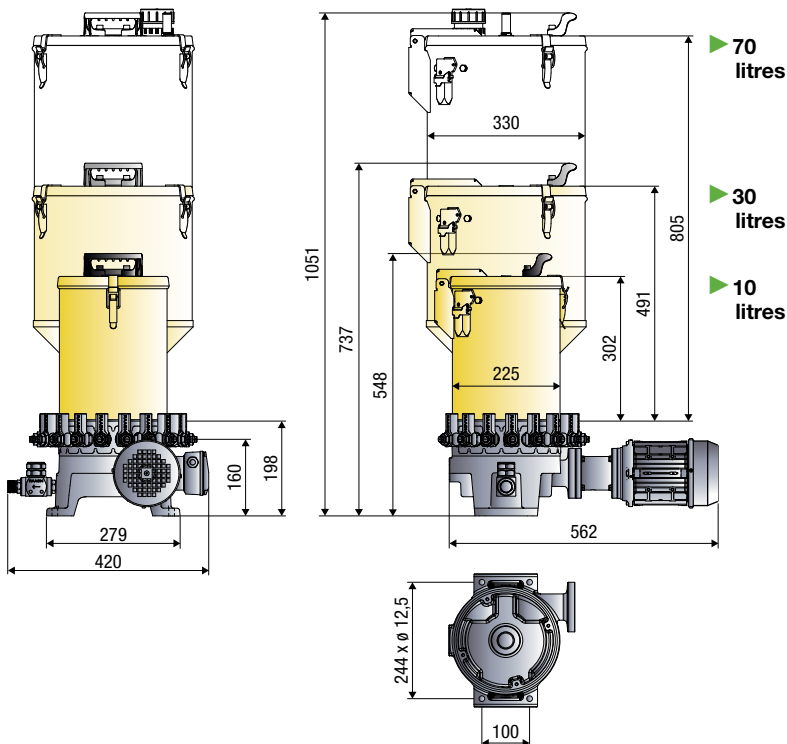
Visual level indicator for oil and grease.

### ON REQUEST



High level capacitive sensor.

## OVERALL DIMENSIONS (mm)

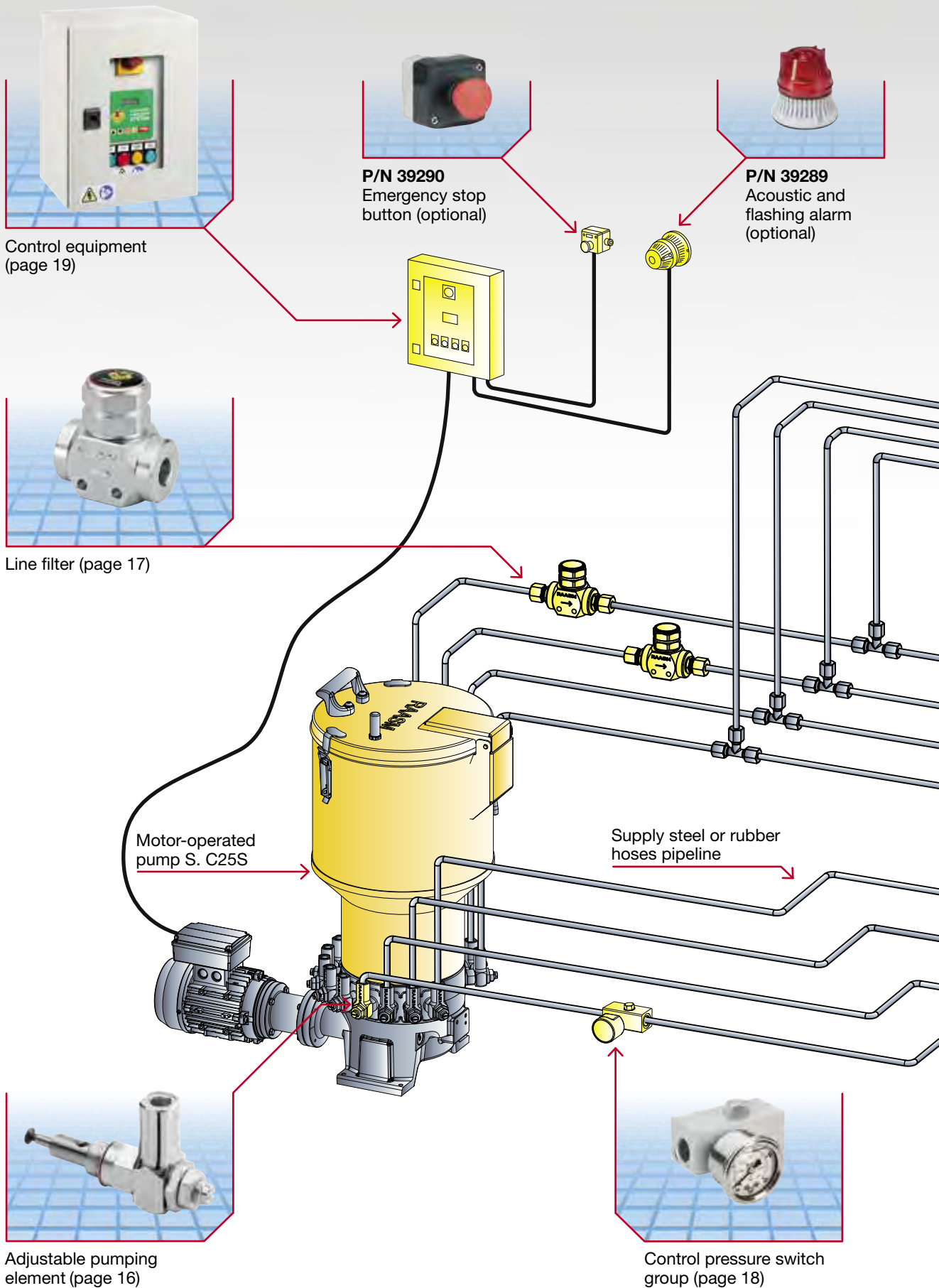


	10 litres	
	Grease	Oil
Packing-m <sup>3</sup>	1-0,141	1-0,141
Net weight Kg	31,3	31,1
Gross weight Kg	43,1	42,9

	30 litres	
	Grease	Oil
Packing-m <sup>3</sup>	1-0,208	1-0,208
Net weight Kg	36,5	36,2
Gross weight Kg	48,7	48,4

	70 litres	
	Grease	Oil
Packing-m <sup>3</sup>	1-0,296	1-0,296
Net weight Kg	41	40,3
Gross weight Kg	53,8	53,1

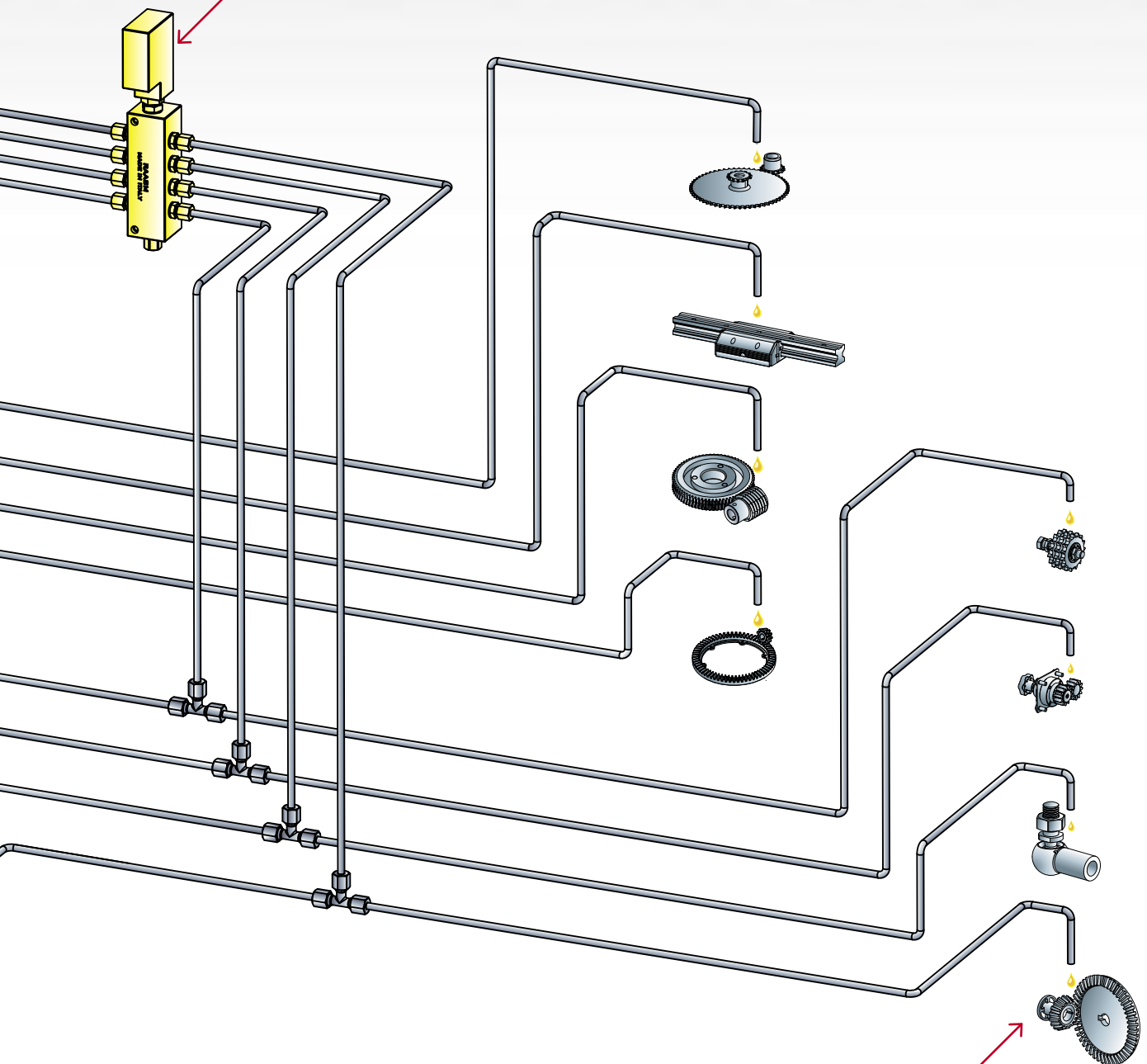
# Type of lubrication system with



# MULTI-DELIVERY PUMP SERIES C25S



Control manifold with pressure switch (page 18)



**Lube point:** In the plant are represented some types of moving parts that need to be lubricated



**Архангельск** (8182)63-90-72  
**Астана** (7172)727-132  
**Астрахань** (8512)99-46-04  
**Барнаул** (3852)73-04-60  
**Белгород** (4722)40-23-64  
**Брянск** (4832)59-03-52  
**Владивосток** (423)249-28-31  
**Волгоград** (844)278-03-48  
**Вологда** (8172)26-41-59  
**Воронеж** (473)204-51-73  
**Екатеринбург** (343)384-55-89  
**Иваново** (4932)77-34-06

**Ижевск** (3412)26-03-58  
**Иркутск** (395)279-98-46  
**Казань** (843)206-01-48  
**Калининград** (4012)72-03-81  
**Калуга** (4842)92-23-67  
**Кемерово** (3842)65-04-62  
**Киров** (8332)68-02-04  
**Краснодар** (861)203-40-90  
**Красноярск** (391)204-63-61  
**Курск** (4712)77-13-04  
**Липецк** (4742)52-20-81

Киргизия (996)312-96-26-47

**Магнитогорск** (3519)55-03-13  
**Москва** (495)268-04-70  
**Мурманск** (8152)59-64-93  
**Набережные Челны** (8552)20-53-41  
**Нижний Новгород** (831)429-08-12  
**Новокузнецк** (3843)20-46-81  
**Новосибирск** (383)227-86-73  
**Омск** (3812)21-46-40  
**Орел** (4862)44-53-42  
**Оренбург** (3532)37-68-04  
**Пенза** (8412)22-31-16

Россия (495)268-04-70

**Пермь** (342)205-81-47  
**Ростов-на-Дону** (863)308-18-15  
**Рязань** (4912)46-61-64  
**Самара** (846)206-03-16  
**Санкт-Петербург** (812)309-46-40  
**Саратов** (845)249-38-78  
**Севастополь** (8692)22-31-93  
**Симферополь** (3652)67-13-56  
**Смоленск** (4812)29-41-54  
**Сочи** (862)225-72-31  
**Ставрополь** (8652)20-65-13

Казахстан (772)734-952-31

**Сургут** (3462)77-98-35  
**Тверь** (4822)63-31-35  
**Томск** (3822)98-41-53  
**Тула** (4872)74-02-29  
**Тюмень** (3452)66-21-18  
**Ульяновск** (8422)24-23-59  
**Уфа** (347)229-48-12  
**Хабаровск** (4212)92-98-04  
**Челябинск** (351)202-03-61  
**Череповец** (8202)49-02-64  
**Ярославль** (4852)69-52-93