

# ЦЕНТРАЛИЗОВАННАЯ СИСТЕМА СМАЗКИ С30В18



Архангельск (8182)63-90-72  
Астана (7172)727-132  
Астрахань (8512)99-46-04  
Барнаул (3852)73-04-60  
Белгород (4722)40-23-64  
Брянск (4832)59-03-52  
Владивосток (423)249-28-31  
Волгоград (844)278-03-48  
Вологда (8172)26-41-59  
Воронеж (473)204-51-73  
Екатеринбург (343)384-55-89  
Иваново (4932)77-34-06

Ижевск (3412)26-03-58  
Иркутск (395)279-98-46  
Казань (843)206-01-48  
Калининград (4012)72-03-81  
Калуга (4842)92-23-67  
Кемерово (3842)65-04-62  
Киров (8332)68-02-04  
Краснодар (861)203-40-90  
Красноярск (391)204-63-61  
Курск (4712)77-13-04  
Липецк (4742)52-20-81

Киргизия (996)312-96-26-47

Магнитогорск (3519)55-03-13  
Москва (495)268-04-70  
Мурманск (8152)59-64-93  
Набережные Челны (8552)20-53-41  
Нижний Новгород (831)429-08-12  
Новокузнецк (3843)20-46-81  
Новосибирск (383)227-86-73  
Омск (3812)21-46-40  
Орел (4862)44-53-42  
Оренбург (3532)37-68-04  
Пенза (8412)22-31-16

Россия (495)268-04-70

Пермь (342)205-81-47  
Ростов-на-Дону (863)308-18-15  
Рязань (4912)46-61-64  
Самара (846)206-03-16  
Санкт-Петербург (812)309-46-40  
Саратов (845)249-38-78  
Севастополь (8692)22-31-93  
Симферополь (3652)67-13-56  
Смоленск (4812)29-41-54  
Сочи (862)225-72-31  
Ставрополь (8652)20-65-13

Казахстан (772)734-952-31

Сургут (3462)77-98-35  
Тверь (4822)63-31-35  
Томск (3822)98-41-53  
Тула (4872)74-02-29  
Тюмень (3452)66-21-18  
Ульяновск (8422)24-23-59  
Уфа (347)229-48-12  
Хабаровск (4212)92-98-04  
Челябинск (351)202-03-61  
Череповец (8202)49-02-64  
Ярославль (4852)69-52-93

# SERIES C30B18

## ELECTRIC MOTOR OPERATED PUMPS

12/24 V DC - ø 180 mm

Sturdy and compact electric pumps with shockproof plastic cover for IP55 protection, with 3-5-8 liters tank capacity. Pumping pistons are radially placed in the aluminum basement below the lubricant reservoir.

Available in 3 versions:

- with remote control where the programmable functions (pause and working time) managed by the control unit, depending on system requirements;
- with analog control for alarm signal, reset functions and outside cycle operations management;
- with digital control for alarm signal, reset functions, pause and work times and outside cycle operations all managed by the control unit integrated board. Electrical parts are located in the bottom of the unit protected by a strong plastic cover.



remote control



analog control



digital control



Delivery control assembly (on request)

### Colours:



to order the article in grey colour RAL 7035 it is necessary to add the suffix /C1

### TECHNICAL CHARACTERISTICS

Max. delivery 1 pumping element *	P/N 3081100 - 4,27 cm <sup>3</sup> /min - 35 rpm	
No. pumping elements	1 - 4	
Delivery union	F 1/4" G	
Max. pressure	300 bar	
Tank	3 - 5 - 8 litres	
Tank filling	by hydraulic greaser M20x1,5 with filter 150 µm	
Level control	minimum level (magnetic-capacitive sensor)	
Protection rating	IP55	
Operating temperature	- 25 °C / + 60 °C	
Lubricant	Oil > 40 cSt - Grease max NLGI 2	
Gearmotor *	12 V DC	24 V DC
Power input	36 W	36 W
Power input (max. starting)	78 W	72 W
Current absorbed	3 A	1,5 A
Current absorbed (max. starting)	6,5 A	3 A

\* Approx. delivery with grease NLGI 2 at 18°C (The lubricant must have technical characteristics in compliance with working temperature).

\* Testing done at 250 bar at 20°C.

## GUIDE TO CHOOSING PUMP ø 180 mm - 12 V DC

P/N		Tank capacity (litres)	No. pumping elements	Delivery (cm <sup>3</sup> /min)	Control type
Grease	Oil				
3019030	3049240	3	1	4,27	remote
3022810	3053020	5	1	4,27	remote
3026590	3056800	8	1	4,27	remote
3018940	3049150	3	1	4,27	analog
3022720	3052930	5	1	4,27	analog
3026500	3056710	8	1	4,27	analog
3018985	3049195	3	1	4,27	digital
3022765	3052975	5	1	4,27	digital
3026545	3056755	8	1	4,27	digital

Attention: items listed above are for electric motor pumps without delivery control assembly (P/N 3081350).

## GUIDE TO CHOOSING PUMP ø 180 mm - 24 V DC

P/N		Tank capacity (litres)	No. pumping elements	Delivery (cm <sup>3</sup> /min)	Control type
Grease	Oil				
3020110	3050320	3	1	4,27	remote
3023890	3054100	5	1	4,27	remote
3027670	3057880	8	1	4,27	remote
3020020	3050230	3	1	4,27	analog
3023800	3054010	5	1	4,27	analog
3027580	3057790	8	1	4,27	analog
3020065	3050275	3	1	4,27	digital
3023845	3054055	5	1	4,27	digital
3027625	3057835	8	1	4,27	digital

Attention: items listed above are for electric motor pumps without delivery control assembly (P/N 3081350).

### STANDARD EQUIPMENT

Magnetic low level indicator for grease.  
Capacitive low level indicator for oil.

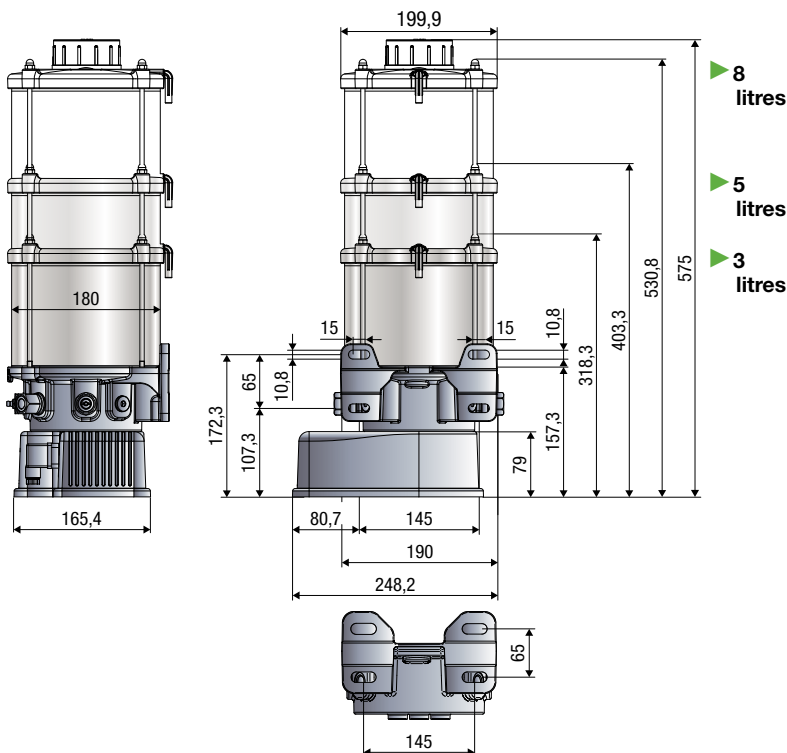


### ON REQUEST

**P/N 3081350**  
Delivery control assembly equipped with manometer and overpressure adjustable valve



## OVERALL DIMENSIONS (mm)

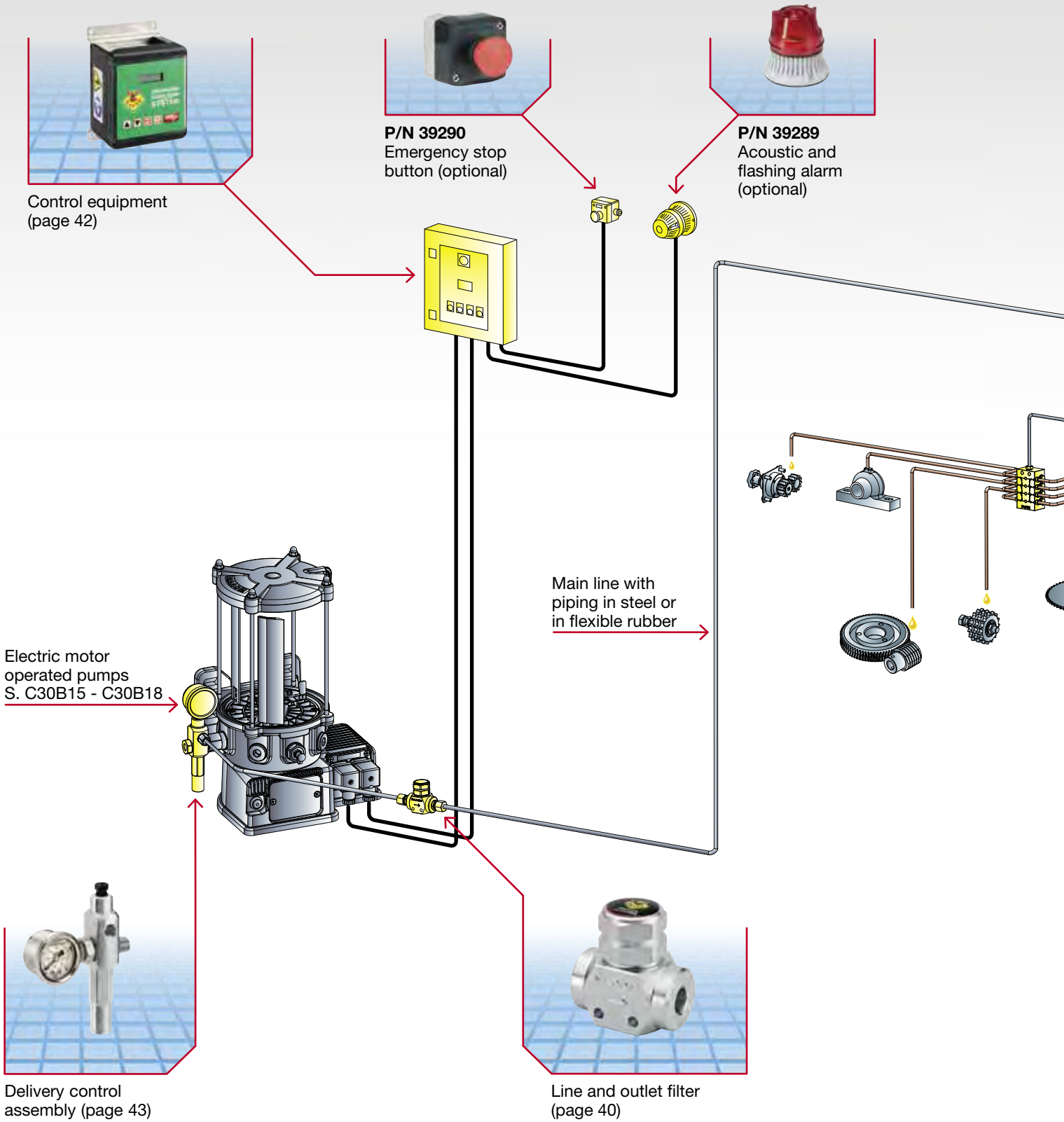


	3 litres	
	Grease	Oil
Packing-m <sup>3</sup>	1-0,05	1-0,05
Net weight Kg	5,8	5,8
Gross weight Kg	6,8	6,7

	5 litres	
	Grease	Oil
Packing-m <sup>3</sup>	1-0,07	1-0,07
Net weight Kg	6,2	6
Gross weight Kg	7,1	7

	8 litres	
	Grease	Oil
Packing-m <sup>3</sup>	1-0,07	1-0,07
Net weight Kg	6,6	6,5
Gross weight Kg	7,4	7,3

# Type of lubrication system with



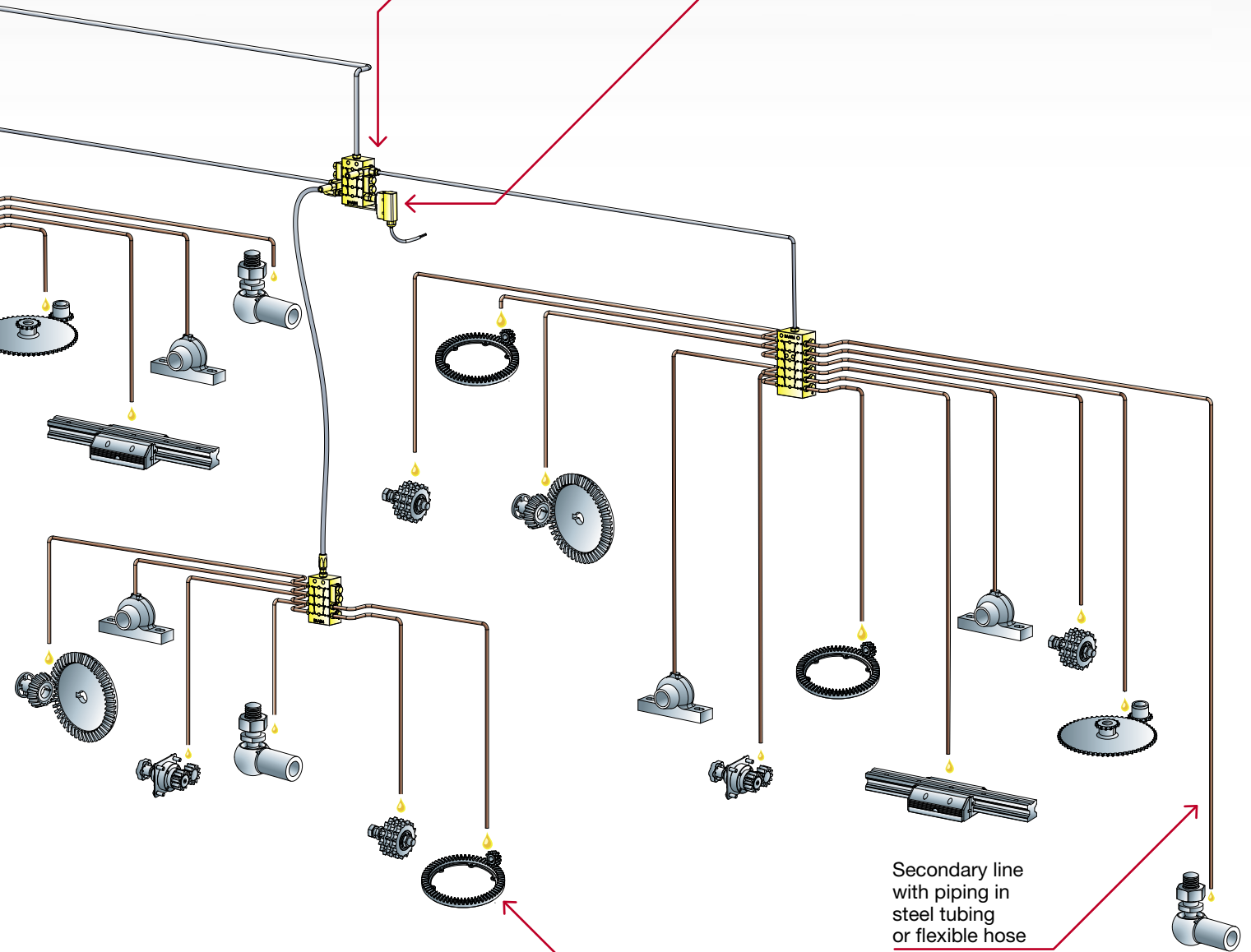
# MOTOR-OPERATED PUMPS SERIES C30B18



Monobloc and modular  
"Master" divider valves  
MDV-M and MDV-L  
(page 30-36)



Cycle indicator (page 34)



Secondary line  
with piping in  
steel tubing  
or flexible hose

**Lube point:** In the plant are represented some types of moving parts that need to be lubricated



**Архангельск** (8182)63-90-72  
**Астана** (7172)727-132  
**Астрахань** (8512)99-46-04  
**Барнаул** (3852)73-04-60  
**Белгород** (4722)40-23-64  
**Брянск** (4832)59-03-52  
**Владивосток** (423)249-28-31  
**Волгоград** (844)278-03-48  
**Вологда** (8172)26-41-59  
**Воронеж** (473)204-51-73  
**Екатеринбург** (343)384-55-89  
**Иваново** (4932)77-34-06

**Ижевск** (3412)26-03-58  
**Иркутск** (395)279-98-46  
**Казань** (843)206-01-48  
**Калининград** (4012)72-03-81  
**Калуга** (4842)92-23-67  
**Кемерово** (3842)65-04-62  
**Киров** (8332)68-02-04  
**Краснодар** (861)203-40-90  
**Красноярск** (391)204-63-61  
**Курск** (4712)77-13-04  
**Липецк** (4742)52-20-81

**Киргизия** (996)312-96-26-47

**Магнитогорск** (3519)55-03-13  
**Москва** (495)268-04-70  
**Мурманск** (8152)59-64-93  
**Набережные Челны** (8552)20-53-41  
**Нижний Новгород** (831)429-08-12  
**Новокузнецк** (3843)20-46-81  
**Новосибирск** (383)227-86-73  
**Омск** (3812)21-46-40  
**Орел** (4862)44-53-42  
**Оренбург** (3532)37-68-04  
**Пенза** (8412)22-31-16

**Россия** (495)268-04-70

**Пермь** (342)205-81-47  
**Ростов-на-Дону** (863)308-18-15  
**Рязань** (4912)46-61-64  
**Самара** (846)206-03-16  
**Санкт-Петербург** (812)309-46-40  
**Саратов** (845)249-38-78  
**Севастополь** (8692)22-31-93  
**Симферополь** (3652)67-13-56  
**Смоленск** (4812)29-41-54  
**Сочи** (862)225-72-31  
**Ставрополь** (8652)20-65-13

**Казахстан** (772)734-952-31

**Сургут** (3462)77-98-35  
**Тверь** (4822)63-31-35  
**Томск** (3822)98-41-53  
**Тула** (4872)74-02-29  
**Тюмень** (3452)66-21-18  
**Ульяновск** (8422)24-23-59  
**Уфа** (347)229-48-12  
**Хабаровск** (4212)92-98-04  
**Челябинск** (351)202-03-61  
**Череповец** (8202)49-02-64  
**Ярославль** (4852)69-52-93

<https://raasm.nt-rt.ru> || [rmf@nt-rt.ru](mailto:rmf@nt-rt.ru)