

ЦЕНТРАЛИЗОВАННАЯ СИСТЕМА СМАЗКИ С30S



Архангельск (8182)63-90-72
Астана (7172)727-132
Астрахань (8512)99-46-04
Барнаул (3852)73-04-60
Белгород (4722)40-23-64
Брянск (4832)59-03-52
Владивосток (423)249-28-31
Волгоград (844)278-03-48
Вологда (8172)26-41-59
Воронеж (473)204-51-73
Екатеринбург (343)384-55-89
Иваново (4932)77-34-06

Ижевск (3412)26-03-58
Иркутск (395)279-98-46
Казань (843)206-01-48
Калининград (4012)72-03-81
Калуга (4842)92-23-67
Кемерово (3842)65-04-62
Киров (8332)68-02-04
Краснодар (861)203-40-90
Красноярск (391)204-63-61
Курск (4712)77-13-04
Липецк (4742)52-20-81

Киргизия (996)312-96-26-47

Магнитогорск (3519)55-03-13
Москва (495)268-04-70
Мурманск (8152)59-64-93
Набережные Челны (8552)20-53-41
Нижний Новгород (831)429-08-12
Новокузнецк (3843)20-46-81
Новосибирск (383)227-86-73
Омск (3812)21-46-40
Орел (4862)44-53-42
Оренбург (3532)37-68-04
Пенза (8412)22-31-16

Россия (495)268-04-70

Пермь (342)205-81-47
Ростов-на-Дону (863)308-18-15
Рязань (4912)46-61-64
Самара (846)206-03-16
Санкт-Петербург (812)309-46-40
Саратов (845)249-38-78
Севастополь (8692)22-31-93
Симферополь (3652)67-13-56
Смоленск (4812)29-41-54
Сочи (862)225-72-31
Ставрополь (8652)20-65-13

Казахстан (772)734-952-31

Сургут (3462)77-98-35
Тверь (4822)63-31-35
Томск (3822)98-41-53
Тула (4872)74-02-29
Тюмень (3452)66-21-18
Ульяновск (8422)24-23-59
Уфа (347)229-48-12
Хабаровск (4212)92-98-04
Челябинск (351)202-03-61
Череповец (8202)49-02-64
Ярославль (4852)69-52-93

SERIES C30S

ELECTRIC MOTOR OPERATED PUMPS

230/400 V AC - 275-480 V AC

Compact electric motor-operated pump, with dispense control group mounted on pump's body. Pumping pistons are radially placed in the aluminum basement below the lubricant reservoir.

The hardened galvanized steel pump works radially into the sturdy and compact nickel plated base. The epoxy powder painted lubricant tank is available in 3 different sizes: 10, 30 and 70 liters. Two electric motor (three-phase) are available with 4 or 6 poles, coupled with 35:1 or 70:1 ratio gear motor. These all specifics allow a wide combination of tanks, motors and gear motors to meet all end-users' needs.



TECHNICAL CHARACTERISTICS

Max. delivery	*	108 cm ³ /min
Max. operating pressure		400 bar adjustable
Tank capacity		10-30 litres
Ratio of reducer in pump		35:1 - 70:1
Filling union		F 1/2" G
Lubricant outlet union		F 3/8" G
Pumping unit delivery		P/N 2081100 - 1 cm ³ /cycle
Temperature		- 25 °C / + 60 °C
Compatible fluids		Oil > 40 cSt - Grease max NLGI 2
Electric min. level control		supplied
Electric min. max. level control		on request
Motor		power: 0,25 kW
		230/400 V AC-50 Hz - 275/480 V AC-60 Hz *
		speed 6-pole: 870 ÷ 1100 rpm
		speed 4-pole: 1370 ÷ 1660 rpm
Materials		protection: IP 55
		base: aluminium alloy
		moving parts: steel
		pumping elements: treated steel
		tank: painted steel

* Approx. delivery with grease NLGI 2 at 18°C. (The lubricant must have technical characteristics in compliance with working temperature).

* Different rated voltages have to be indicated in the purchase order.

GUIDE TO CHOOSING PUMP

P/N		Tank capacity (litres)	No. pumping elements	Reducer ratio	Motor	Delivery (cm ³ /min)
Grease	Oil					
3070080	3070440	10	2	70:1	6 poles	28
3070200	3070560	30	2	70:1	6 poles	28
3070020	3070380	10	2	70:1	4 poles	40
3070140	3070500	30	2	70:1	4 poles	40
3070110	3070470	10	4	70:1	6 poles	56
3070230	3070590	30	4	70:1	6 poles	56
3070050	3070410	10	4	70:1	4 poles	80
3070170	3070530	30	4	70:1	4 poles	80
3070065	3070425	10	2	35:1	6 poles	54
3070185	3070545	30	2	35:1	6 poles	54
3070095	3070455	10	4	35:1	6 poles	108
3070215	3070575	30	4	35:1	6 poles	108

STANDARD EQUIPMENT



Low level capacitive sensor.



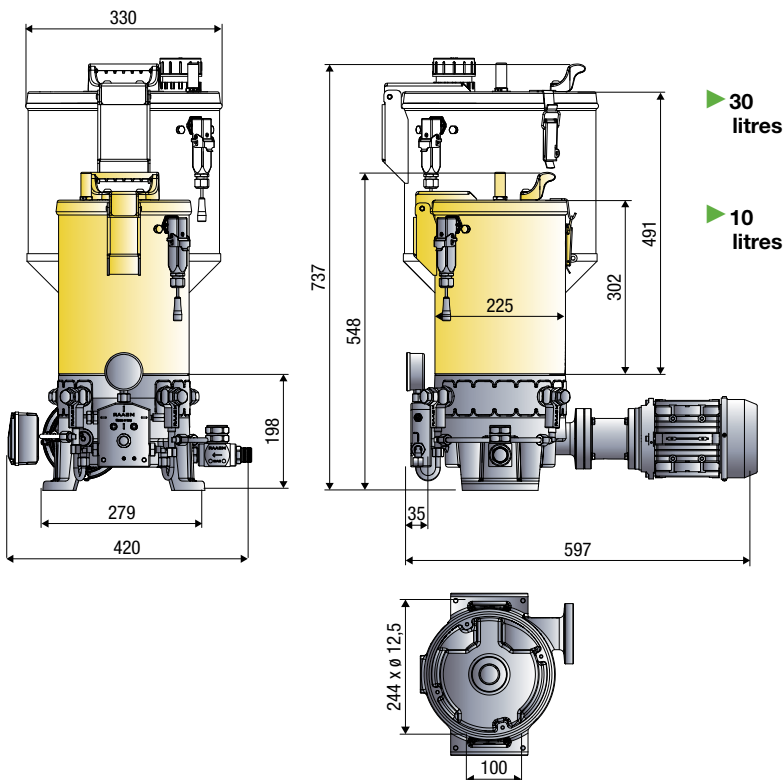
Visual level indicator for oil and grease.

ON REQUEST



High level capacitive sensor.

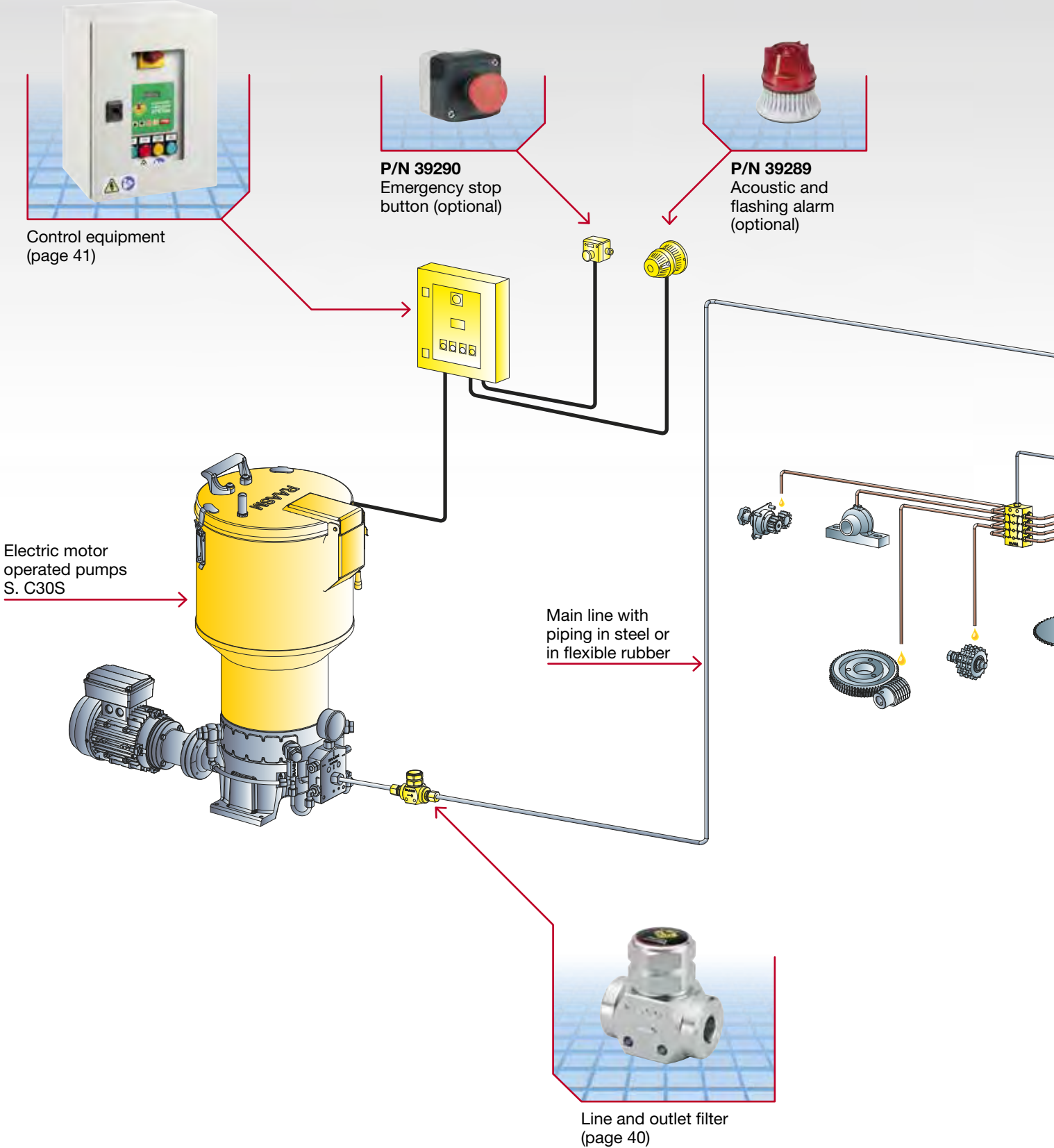
OVERALL DIMENSIONS (mm)



	10 litres	
	GREASE	OIL
Packing-m ³	1-0,144	1-0,144
Net weight Kg	27,8	27,7
Gross weight Kg	39,6	39,5

	30 litres	
	GREASE	OIL
Packing-m ³	1-0,208	1-0,208
Net weight Kg	33	32,8
Gross weight Kg	45,2	45

Type of lubrication system with



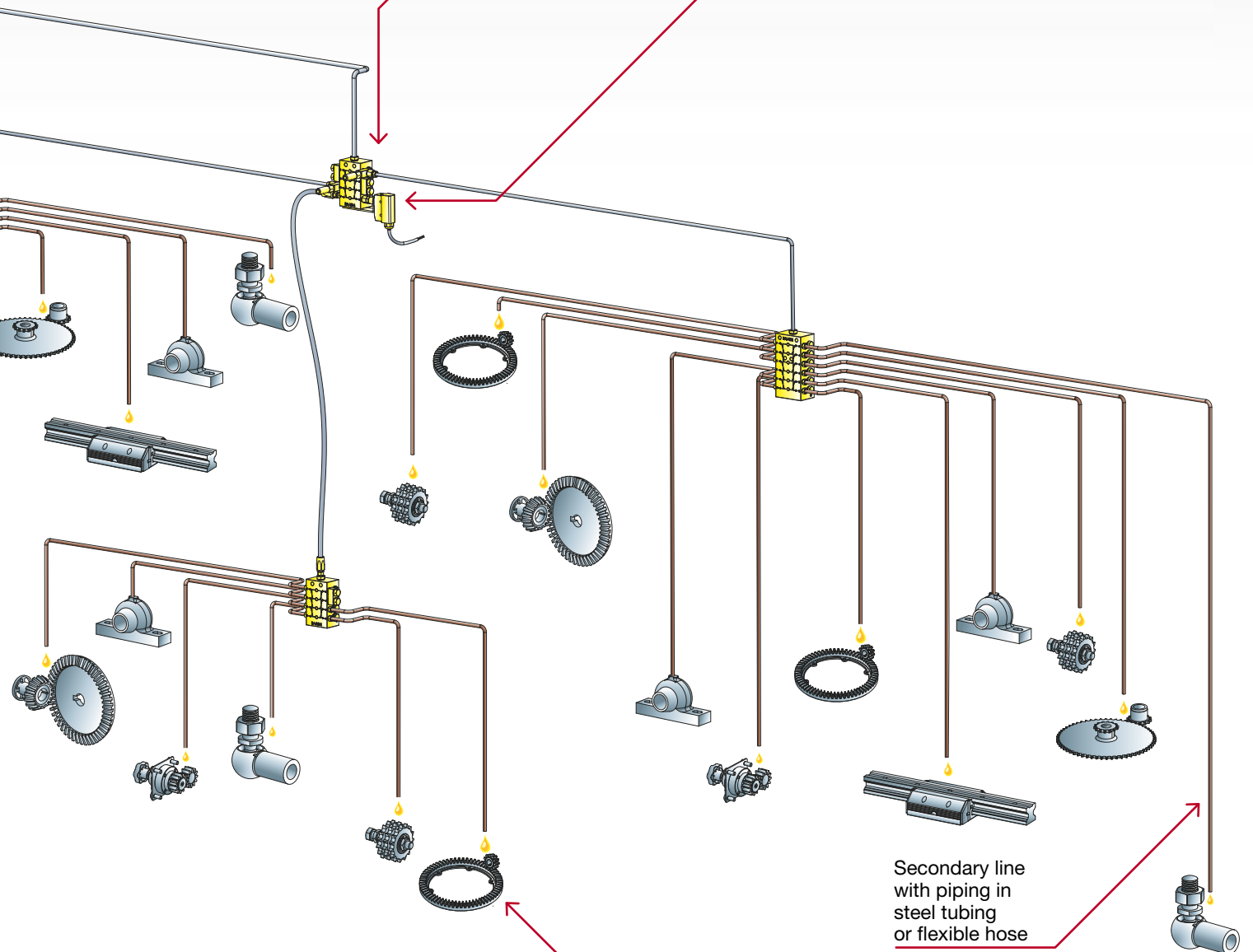
MOTOR-OPERATED PUMPS SERIES C30S



Monobloc and modular
"Master" divider valves
MDV-M and MDV-L
(page 30-36)



Cycle indicator (page 34)



Secondary line
with piping in
steel tubing
or flexible hose

Lube point: In the plant are represented some types of moving parts that need to be lubricated



Архангельск (8182)63-90-72
Астана (7172)727-132
Астрахань (8512)99-46-04
Барнаул (3852)73-04-60
Белгород (4722)40-23-64
Брянск (4832)59-03-52
Владивосток (423)249-28-31
Волгоград (844)278-03-48
Вологда (8172)26-41-59
Воронеж (473)204-51-73
Екатеринбург (343)384-55-89
Иваново (4932)77-34-06

Ижевск (3412)26-03-58
Иркутск (395)279-98-46
Казань (843)206-01-48
Калининград (4012)72-03-81
Калуга (4842)92-23-67
Кемерово (3842)65-04-62
Киров (8332)68-02-04
Краснодар (861)203-40-90
Красноярск (391)204-63-61
Курск (4712)77-13-04
Липецк (4742)52-20-81

Киргизия (996)312-96-26-47

Магнитогорск (3519)55-03-13
Москва (495)268-04-70
Мурманск (8152)59-64-93
Набережные Челны (8552)20-53-41
Нижний Новгород (831)429-08-12
Новокузнецк (3843)20-46-81
Новосибирск (383)227-86-73
Омск (3812)21-46-40
Орел (4862)44-53-42
Оренбург (3532)37-68-04
Пенза (8412)22-31-16

Россия (495)268-04-70

Пермь (342)205-81-47
Ростов-на-Дону (863)308-18-15
Рязань (4912)46-61-64
Самара (846)206-03-16
Санкт-Петербург (812)309-46-40
Саратов (845)249-38-78
Севастополь (8692)22-31-93
Симферополь (3652)67-13-56
Смоленск (4812)29-41-54
Сочи (862)225-72-31
Ставрополь (8652)20-65-13

Казахстан (772)734-952-31

Сургут (3462)77-98-35
Тверь (4822)63-31-35
Томск (3822)98-41-53
Тула (4872)74-02-29
Тюмень (3452)66-21-18
Ульяновск (8422)24-23-59
Уфа (347)229-48-12
Хабаровск (4212)92-98-04
Челябинск (351)202-03-61
Череповец (8202)49-02-64
Ярославль (4852)69-52-93

<https://raasm.nt-rt.ru> || rmf@nt-rt.ru